

Model 73070

SMA Plug to SMA Bulkhead Jack, RG316/U, RG58C/U



Model 73070-C
SMA Plug to SMA Bulkhead Jack, RG58C/U



Model 73070-BB
SMA Plug to SMA Bulkhead Jack, RG316/U

Small size, and durability for confident connections

Features

- DC - 3GHz bandwidth.
- Connectors are precision machined and gold-plated for low loss.
- Perfect for applications where space, weight, performance and ease of connections are required.

Materials

SMA Male Connectors:

Center Contact: Brass, Gold Plated
Connector Body: Brass, Gold Plated
Crimp Ferrule: Copper, Nickel Plated
Insulators: PTFE

SMA Bulkhead Female Connectors:

Center Contact: Beryllium Copper, Gold Plated
Connector Body: Brass, Gold Plated
Crimp Ferrule: Copper, Nickel Plated
Insulators: PTFE

Specifications

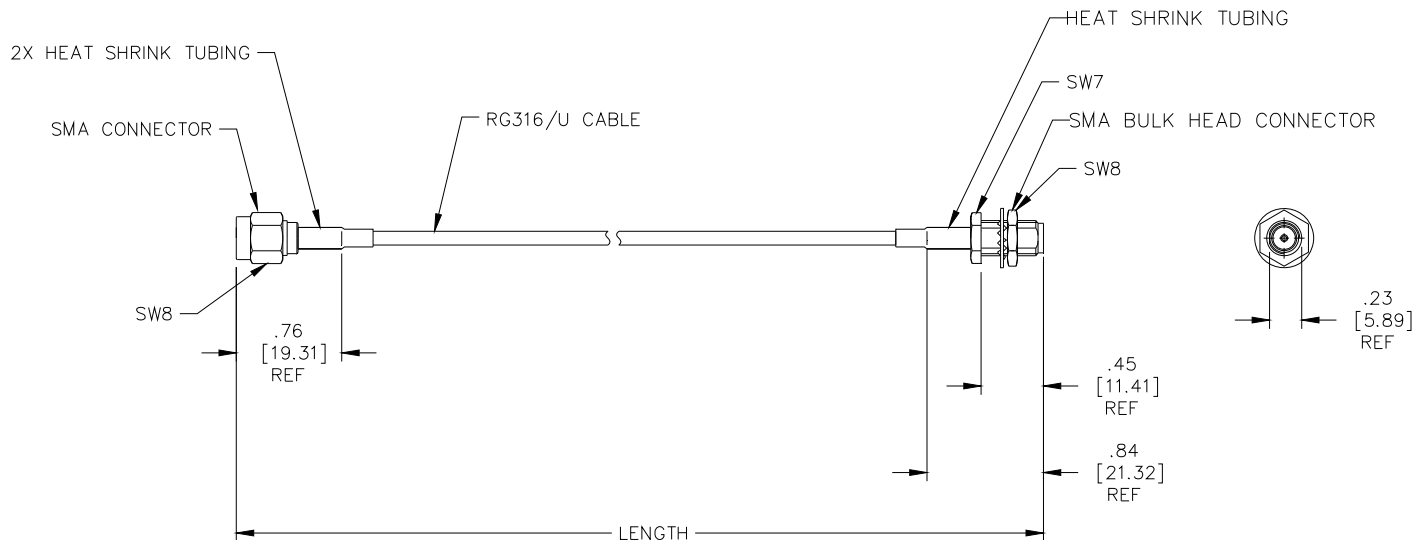
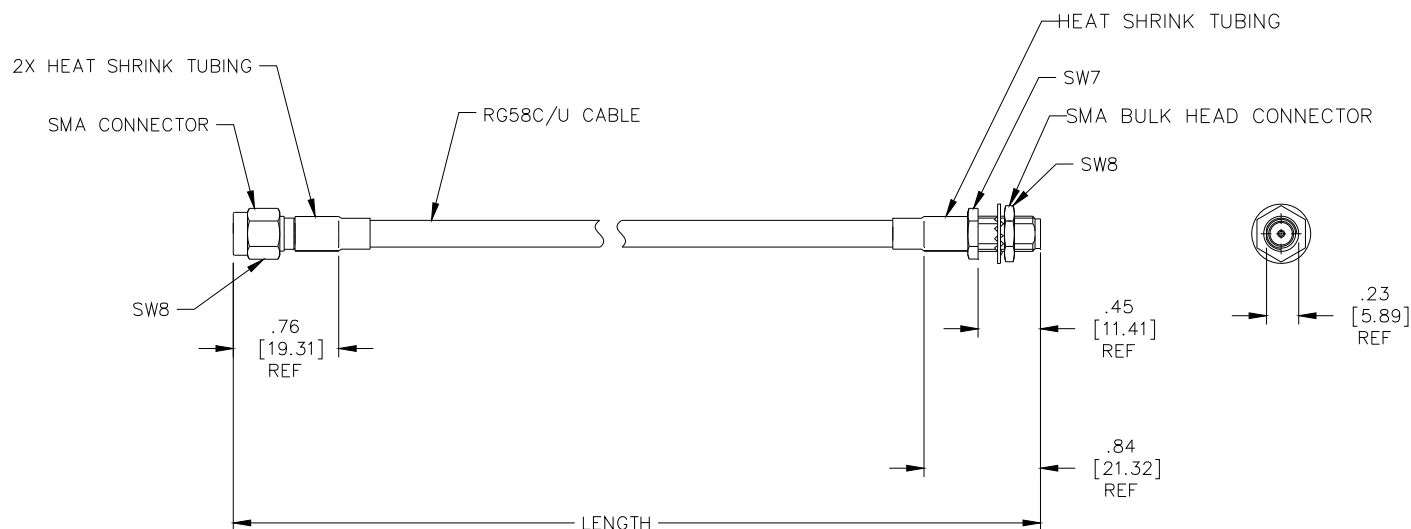
Cable Type	RG58C/U	RG316/U
Impedance	50Ω	50Ω
Frequency Range	DC - 3GHz	DC - 3GHz
Capacitance per 1ft (0.305m)	30.8 pF	29.0 pF
Insulation Resistance	≥ 1000 MΩ	≥ 1000 MΩ
Insulator Withstand	750V	750V
Temperature Range	-65° C to +165°C (-85°F to +329°F)	-65° C to +165°C (-85°F to +329°F)
Jacket	PVC2	FEP
Cable O.D. (inches)	0.193" (4.9mm)	0.098" (2.5mm)
Center Conductor (mm)	19 x .18 tinned copper	7 x .18 silver coated copper covered steel

USA: Sales: 800-490-2361
Technical Support: technicalsupport@pomonatest.com
Fax: 425-446-5844
Europe: 31-(0) 40 2675 150 International: 425-446-5500
Where to Buy: www.pomonaelectronics.com

All dimensions are in inches. Tolerances (except noted): .xx = ±.02" (.51 mm), .xxx = ± .005" (.127 mm). All specifications are to the latest revisions. Specifications are subject to change without notice. Registered trademarks are the property of their respective companies.

Model 73070

SMA Plug to SMA Bulkhead Jack, RG316/U, RG58C/U



Ordering Information

Model: **73070**

Cable Designators: **C** = RG58C/U, **BB** = RG316/U

Standard Lengths: **12", 24", 36", 48", 60"**

- 12" ± .157" (305mm ± 4mm)
- 24" ± .275" (610mm ± 7mm)
- 36" ± .394" (914mm ± 10mm)
- 48" ± .512" (1219mm ± 13mm)
- 60" ± .630" (1524mm ± 16mm)

Ordering Example: **73070-C-48**, Cable is RG58C/U with length of 48" (1219mm)

USA: Sales: 800-490-2361
 Technical Support: technicalsupport@pomonatest.com
 Fax: 425-446-5844

Europe: 31-(0) 40 2675 150 **International:** 425-446-5500

Where to Buy: www.pomonaelectronics.com



免責聲明
 資料僅供參考，若有與原廠不合之處，請以原廠規格為準，且不供任何證明文件之用
 TEL:03-5970828 FAX:03-5972622 新竹湖口工業區工業四路3號2F

All dimensions are in inches. Tolerances (except noted): .xx = ±.02" (.51 mm), .xxx = ±.005" (.127 mm). All specifications are to the latest revisions. Specifications are subject to change without notice. Registered trademarks are the property of their respective companies.