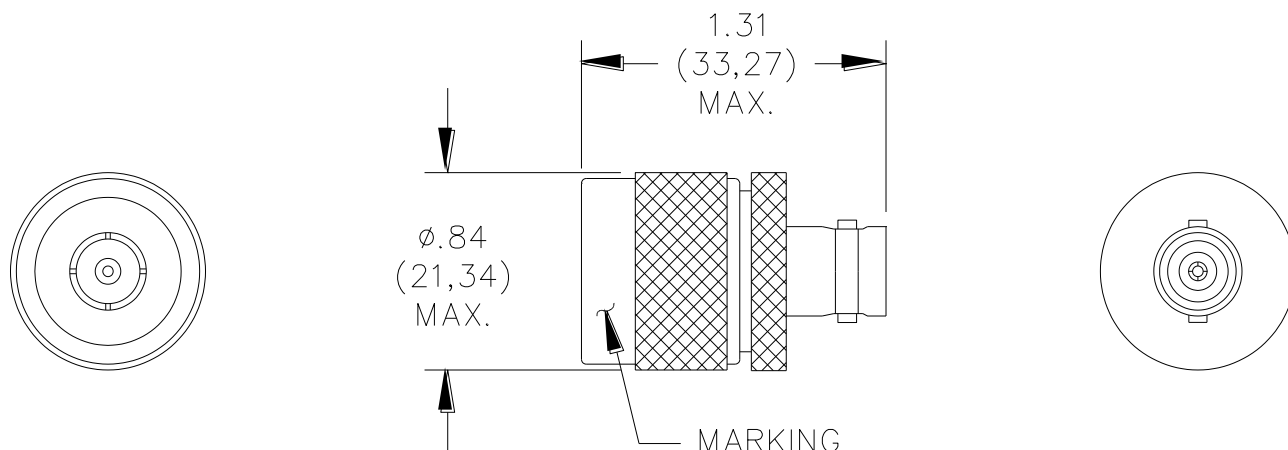


Model 3288
N-Type (Male) to BNC (Female) Adapter

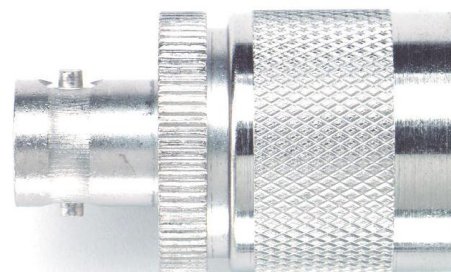


Features

- Adapter allows you to convert between N-Type connections and BNC connections
- Meets the interface requirements of MIL-STD-348

Materials

Body and Fittings: Brass, Tarnish Resistant Nickel Plating
 Center Contact: Beryllium Copper, Gold Plated
 Dielectric: PTFE
 Marking: "Pomona 3288" (optional)



Ratings

Voltage: For *CE compliance* and for personal safety, do not hold in hand when voltages exceed 30 Vac/60 Vdc.
 Maximum voltage for *hands free use* in controlled testing environments: 500 Vrms
 Do not use on circuits where transient stresses can exceed the rated voltage.

Operating Temperature: -65°C to +165°C
 Nominal Impedance: 50 Ohm

Ordering Information

Model: 3288
 ADAPTER, BNC (F), N (M)

USA: Sales: 800-490-2361
 Technical Support: technicalsupport@pomonatest.com
 Fax: 425-446-5844

Europe: 31-(0) 40 2675 150 **International:** 425-446-5500
Where to Buy: www.pomonaelectronics.com

All dimensions are in inches. Tolerances (except noted): .xx = ±.02" (.51 mm), .xxx = ±.005" (.127 mm). All specifications are to the latest revisions. Specifications are subject to change without notice. Registered trademarks are the property of their respective companies.