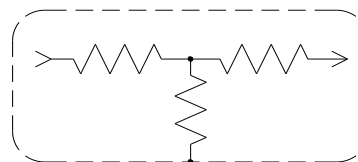
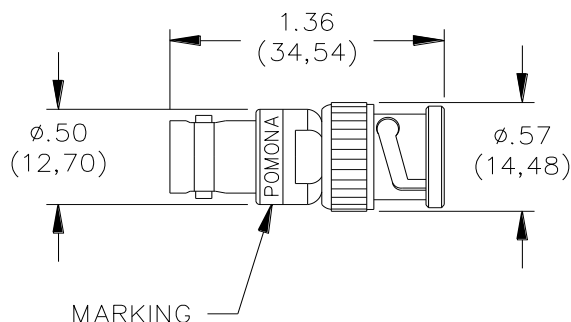


**Model 4108 & 5513
BNC 50 Ohm Attenuator & Kit**



SCHEMATIC

ATTENUATION & VSWR TOLERANCES ALL MODELS	
VSWR	ATTENUATION TOLERANCES
1.1 to 1GHz	±0.4dB to 1GHz
1.2 to 2GHz	±0.45dB to 2GHz
1.35 to 4GHz	±0.65dB to 4GHz

MODEL NUMBER	*ATTENUATION
4108-3dB	3dB
4108-6dB	6dB
4108-10dB	10dB
4108-14dB	14dB
4108-20dB	20dB

Features

- Used to attenuate signals in coaxial lines

Materials

Body and Fittings: Brass per QQ-B-626, Alloy 360, ½ Hard

Center Contact:

Male – Brass per QQ-B-626, Alloy 360, ½ Hard

Female – Beryllium Copper per QQ-C-530, Cond. HT

Outer Contact: Beryllium Copper per QQ-C-530, Cond. HT

Dielectric: PTFE per ASTM D1457

Gaskets: Silicone rubber per ZZ-R-765, Class 11, Grade 50

Resistor: 2W, Metal film attenuator

Finish:

Body and Fittings – Tarnish Resistant

Center Contact – Gold plated per MIL-C-39012

Outer Contact – Tarnish Resistant

Marking: *Body* – “POMONA 4108-*”



Ratings

- Nominal Impedance: 50 Ohm
- Power: 2 Watt @ 70°C; derated linearly to .6 watts @ 150°C
- Resistor Tolerance: ± 2.5% @ 25°C
- Operating Temperature: -55°C to +102°C

Ordering Information

Model: **4108-XXdB** (XX – see table for available attenuations)

Model: **5513** Kit contains 1 of each model

USA: Sales: 800-490-2361
 Technical Support: technicalsupport@pomonatest.com
 Fax: 425-446-5844

Europe: 31-(0) 40 2675 150 **International:** 425-446-5500

Where to Buy: www.pomonaelectronics.com

All dimensions are in inches. Tolerances (except noted): .xx = ±.02” (.51 mm), .xxx = ± .005” (.127 mm). All specifications are to the latest revisions. Specifications are subject to change without notice. Registered trademarks are the property of their respective companies.