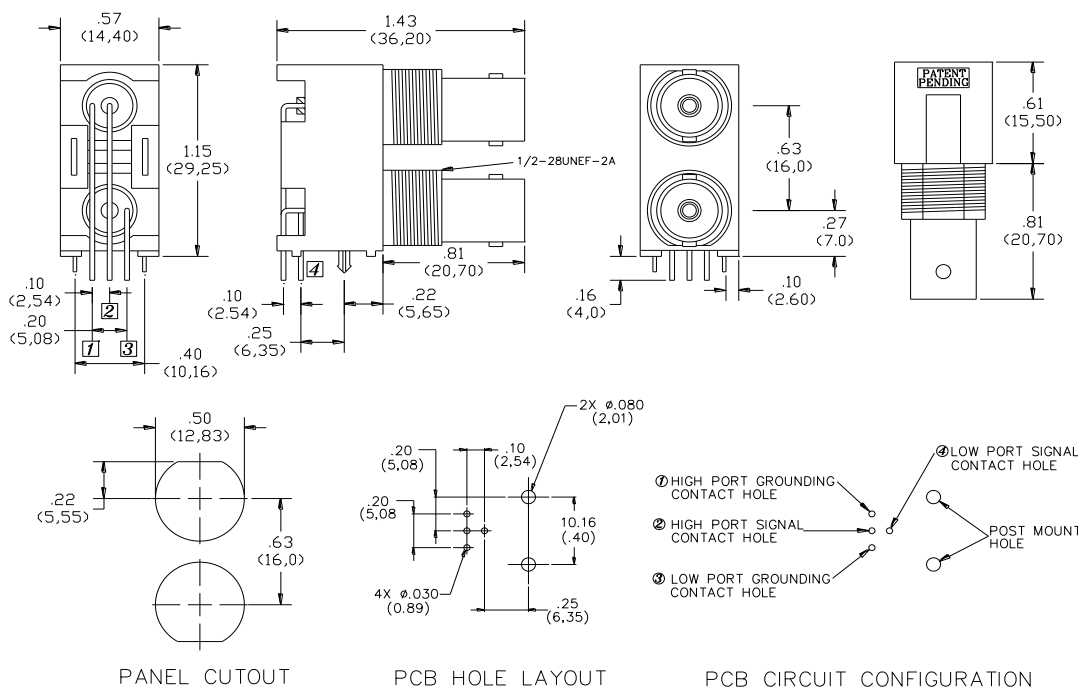


Model 6718

Dual Output, 75 Ohm BNC Circuit Board Mount, White Valox Case



Materials

Case: White Valox
 BNC Body: Nickel Plated Brass
 Center Contact Pin: Gold Plated Brass
 Center Contact Socket: Gold Plated Phosphor Bronze
 Insulator: Polybutylene Terephthalate

Ratings

Impedance: 75 Ohm
 Frequency: 0 – 1 GHz
 VSWR: 1.30 max
 Contact Resistance: 3 Milliohms max.
 Voltage: * 500 V
 Insulation Resistance: 5000 Megohms min.
 Insertions: 500
 Temperature: -40°C to +85°C (-40°F to +185°F)
 Shock: 50 G
 Vibration: 20 G from 80 to 2000 Hz



* Maximum voltage for *hands free use* in controlled testing environments. For *CE compliance* and for personal safety, do not hold in hand when voltages exceed 30 Vrms / 42.4 Vpk / 60 Vdc, or current exceeds 8A maximum.

USA: Sales: 800-490-2361
 Technical Support: technicalsupport@pomonatest.com
 Fax: 425-446-5844

Europe: 31-(0) 40 2675 150 International: 425-446-5500
 Where to Buy: www.pomonaelectronics.com

All dimensions are in inches. Tolerances (except noted): .xx = ±.02" (.51 mm), .xxx = ±.005" (.127 mm). All specifications are to the latest revisions. Specifications are subject to change without notice. Registered trademarks are the property of their respective companies.