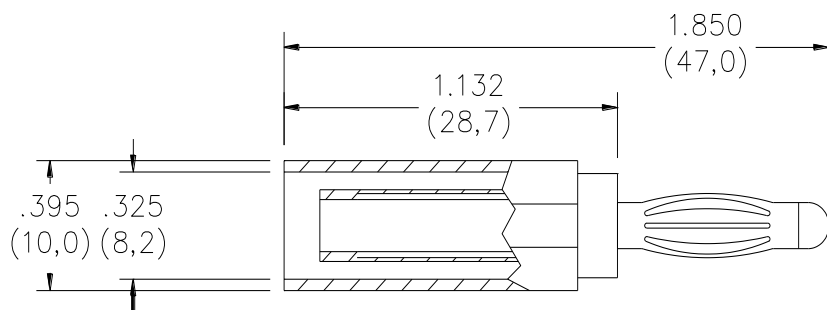


Model 6728

Adapter, Standard Sheath Banana Jack to Non-Sheath Banana Plug



Features

- Adapter provides an easy and quick conversion from a standard sheathed banana plug / patch cord to a standard exposed banana plug.
- Allows standard sheathed banana plugs / patch cords to connect to non-sheath style banana jacks or binding posts.
- Ideal for environments using a mixture of sheathed and non-sheathed style patch cords.

Materials

Banana Jack:	Nickel Plated Brass
Banana Plug:	Nickel Plated Beryllium Copper
Insulation:	Nylon 6

Ratings

Voltage: For *CE compliance* and for personal safety, do not hold in hand when voltages exceed 30 Vac / 60 Vdc. Maximum voltage for *hands free* use in controlled testing environments: 600 Vrms
Do not use on circuits where transient stresses can exceed the rated voltage.

Current: 20 A max

Temperature: -10°C to +55°C

Ordering Information

Model: 6728-*, 4MM SAFETY BANANA JACK TO BANANA PLUG ADAPTER

* = color

6728-0	Black
6728-2	Red

USA: Technical Support: technicalsupport@pomonatest.com

Europe: 31-(0) 40 2675 150 **International:** 425-446-5500

Where to Buy: www.pomonaelectronics.com

All dimensions are in inches. Tolerances (except noted): .xx = ±.02" (.51 mm), .xxx = ±.005" (.127 mm). All specifications are to the latest revisions. Specifications are subject to change without notice. Registered trademarks are the property of their respective companies.