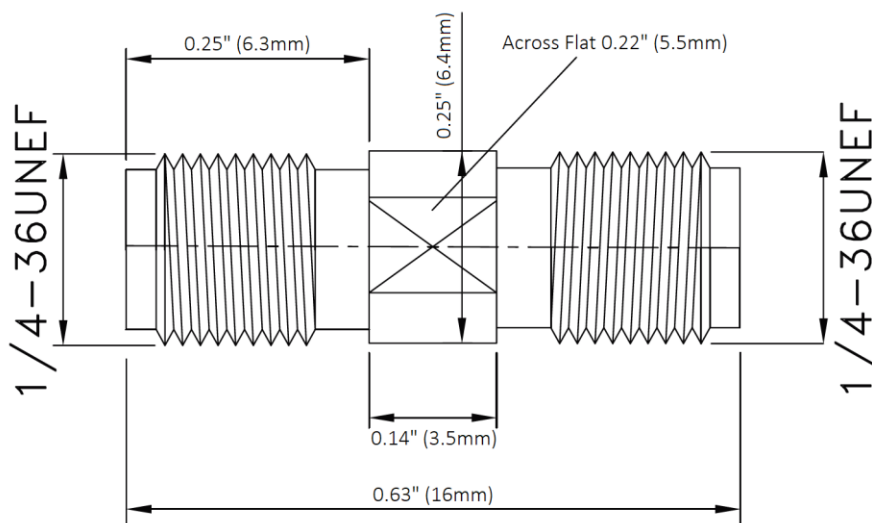


**Model 72966**  
SMA Jack (F) / Jack (F)



**Features**

- DC – 18 GHz
- Small size and durability for mobile communications
- Precision machined and gold-plated for low loss

**Materials**

Body: Brass, Gold Plated  
 Center Contact: Beryllium Copper, Gold Plated  
 Insulator: PTFE

**Ratings**

Impedance	50 Ω
Frequency Range	DC – 18 GHz max.
Working Voltage	500 Vrms max.
Dielectric Withstanding Voltage	1000 Vrms max.
VSWR	1.25 max.
Contact Resistance	6 mΩ max. (center contact); 2 mΩ max. (outer contact)
Insulation Resistance	5000 MΩ max.
Insertions	500

**Ordering Information**

Model: 72966

**USA:** Sales: 800-490-2361  
 Technical Support: [technicalsupport@pomonatest.com](mailto:technicalsupport@pomonatest.com)  
 Fax: 425-446-5844  
**Europe:** 31-(0) 40 2675 150 **International:** 425-446-5500  
**Where to Buy:** [www.pomonaelectronics.com](http://www.pomonaelectronics.com)

All dimensions are in inches. Tolerances (except noted): .xx = ±.02" (.51 mm), .xxx = ± .005" (.127 mm). All specifications are to the latest revisions. Specifications are subject to change without notice. Registered trademarks are the property of their respective companies.