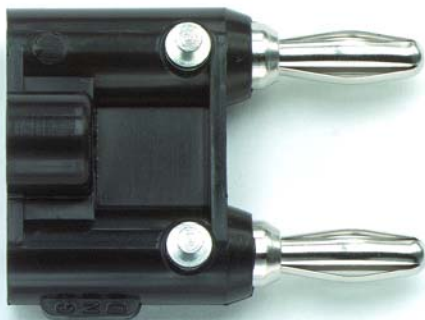
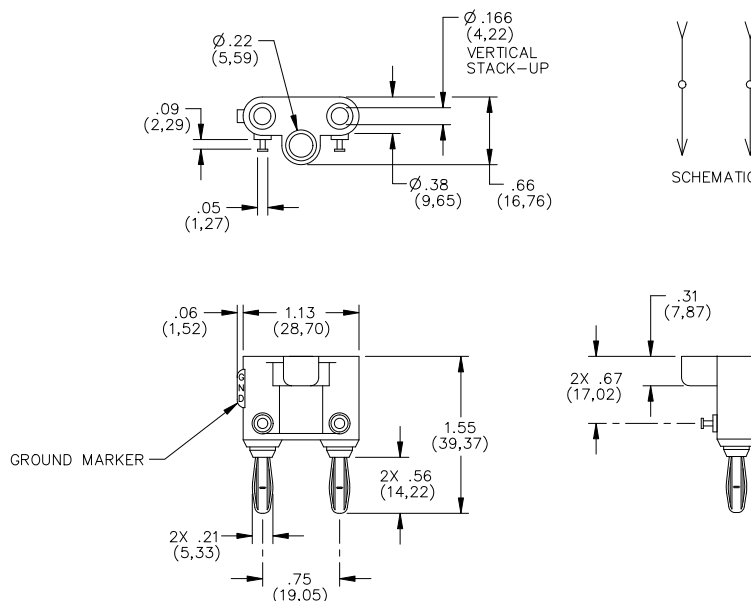


**Model MDP-ST**  
**Double Banana Plug with Solder Turret Terminals**



**Model MDP-ST**  
**Double Banana Plug with Solder Turret Terminals**



**Features**

- Simplified attachment of cables or small components by means of solder turrets.
- For test versatility, banana plugs can be vertically stacked to the banana plug.
- Banana plug spring is Beryllium Copper for long insertion life.

**Materials**

Banana Plug: Body – Brass, Nickel Plated  
Spring – Beryllium Copper, Nickel Plated  
Insulation: Polypropylene, Color: Black  
Marking: “MDP-ST”, “POMONA ELECTRONICS CO, INC. POMONA, CALIF.”

**Ratings**

Operating Temperature: +55°C. (+122°F.) Max.  
Operating Voltage: Hand-held testing: 30 VAC/60 VDC Max.  
Hands free testing in controlled voltage environments: 5000 WVDC.  
Current: 15 Amps

**Ordering Information**

Model: MDP-ST  
Color option is black only

**USA:** Sales: 800-490-2361  
Technical Support: [technicalsupport@pomonatest.com](mailto:technicalsupport@pomonatest.com)  
Fax: 425-446-5844  
**Europe:** 31-(0) 40 2675 150 **International:** 425-446-5500  
**Where to Buy:** [www.pomonaelectronics.com](http://www.pomonaelectronics.com)

All dimensions are in inches. Tolerances (except noted): .xx = ±.02” (.51 mm), .xxx = ± .005” (.127 mm). All specifications are to the latest revisions. Specifications are subject to change without notice. Registered trademarks are the property of their respective companies.