



HD110C

Heavy-Duty Digital Multimeter

User Manual

- **Mode d'emploi**
- **Manual d'Uso**
- **Bedienungshandbuch**
- **Manual de uso**
- **Användarhanbok**



HD110C

Heavy-Duty Digital Multimeter

User Manual

- Mode d'emploi
- Manuale d'Uso
- Bedienungshandbuch
- Manual de uso
- Användarhanbok

PN 2670818

March 2007

© 2007 Amprobe® Test Tools

All rights reserved. Printed in Taiwan

Limited Warranty and Limitation of Liability

Your Amprobe product will be free from defects in material and workmanship for 1 year from the date of purchase. This warranty does not cover fuses, disposable batteries or damage from accident, neglect, misuse, alteration, contamination, or abnormal conditions of operation or handling. Resellers are not authorized to extend any other warranty on Amprobe's behalf. To obtain service during the warranty period, return the product with proof of purchase to an authorized Amprobe Test Tools Service Center or to an Amprobe dealer or distributor. See Repair Section for details. THIS WARRANTY IS YOUR ONLY REMEDY. ALL OTHER WARRANTIES - WHETHER EXPRESS, IMPLIED OR STAUTOR - INCLUDING IMPLIED WARRANTIES OF FITNESS FOR A PARTICULAR PURPOSE OR MERCHANTABILITY, ARE HEREBY DISCLAIMED. MANUFACTURER SHALL NOT BE LIABLE FOR ANY SPECIAL, INDIRECT, INCIDENTAL OR CONSEQUENTIAL DAMAGES OR LOSSES, ARISING FROM ANY CAUSE OR THEORY. Since some states or countries do not allow the exclusion or limitation of an implied warranty or of incidental or consequential damages, this limitation of liability may not apply to you.

Limitation de garantie et de responsabilité

Amprobe garantit l'absence de vices de matériaux et de fabrication de ce produit dans des conditions normales d'utilisation et d'entretien pendant une période d'un an prenant effet à la date d'achat. Cette garantie ne s'applique pas aux fusibles, aux piles jetables ni à tout produit mal utilisé, modifié, contaminé, négligé ou endommagé par accident ou soumis à des conditions anormales d'utilisation et de manipulation. Les distributeurs agréés par Amprobe ne sont pas autorisés à appliquer une garantie plus étendue au nom de Amprobe. Pour bénéficier de la garantie, renvoyez le produit accompagné d'un justificatif d'achat auprès d'un centre de services agréé par Amprobe Test ou du distributeur ou du revendeur Amprobe. Voir la section Réparation ci-dessus pour tous les détails. LA PRÉSENTE GARANTIE EST LE SEUL ET EXCLUSIF RECOURS TOUTES AUTRES GARANTIES, EXPLICITES, IMPLICITES OU STATUTAIRES, NOTAMMENT LE CAS ECHEANT LES GARANTIES DE QUALITÉ MARCHANDE OU D'ADAPTATION A UN OBJECTIF PARTICULIER SONT EXCLUES PAR LES PRÉSENTES. LE FABRICANT NE SERA EN AUCUN CAS TENU RESPONSABLE DE DOMMAGES PARTICULIERS, INDIRECTES, ACCIDENTELS OU CONSÉCUTIFS, NI D'AUCUNS DÉGÂTS OU PERTES DE DONNÉES, SUR UNE BASE CONTRACTUELLE, EXTRA-CONTRACTUELLE OU AUTRE. Etant donné que certains pays ou états n'admettent pas les limitations d'une condition de garantie implicite, ou l'exclusion ou la limitation de dégâts accidentels ou consécutifs, les limitations et les exclusions de cette garantie ne s'appliquent pas obligatoirement à chaque acheteur.

Garanzia limitata e restrizioni di responsabilità

Questo prodotto Amprobe sarà esente da difetti di materiale e fabbricazione per 1 anno a decorrere dalla data di acquisto. Sono esclusi da questa garanzia i fusibili, le pile monouso e i danni causati da incidenti, negligenza, uso improprio, alterazione, contaminazione o condizioni anomale di funzionamento o manipolazione. I rivenditori non sono autorizzati a offrire alcun'altra garanzia a nome della Amprobe. Per richiedere un intervento durante il periodo di garanzia, restituire il prodotto, allegando la ricevuta di acquisto, a un centro di assistenza autorizzato Amprobe Test Tools oppure a un rivenditore o distributore Amprobe locale. Per ulteriori informazioni vedere la sezione Riparazioni. QUESTA GARANZIA È IL SOLO RICORSO A DISPOSIZIONE DELL'ACQUIRENTE, E SOSTITUISCE QUALSIASI ALTRA GARANZIA, ESPRESSA, IMPLICITA O PREVISTA DALLA LEGGE, COMPRESA, MA NON A TITOLO ESCLUSIVO, QUALSIASI GARANZIA IMPLICITA DI COMMERCIALITÀ O DI IDONEITÀ PER SCOPI PARTICOLARI. IL PRODUTTORE NON SARÀ RESPONSABILE DI DANNI O PERDITE SPECIALI, INDIRETTI O ACCIDENTALI, DERIVANTI DA QUALSIASI CAUSA O TEORIA. Poiché alcuni stati o Paesi non permettono l'esclusione o la limitazione di una garanzia implicita o di danni accidentali o indiretti, questa limitazione di responsabilità potrebbe non applicarsi all'acquirente.

Beschränkte Gewährleistung und Haftungsbeschränkung

Es wird gewährleistet, dass dieses Amprobe-Produkt für die Dauer von einem Jahr ab dem Kaufdatum frei von Material- und Fertigungsdefekten ist. Diese Gewährleistung erstreckt sich nicht auf Sicherungen, Einwegbatterien oder Schäden durch Unfälle, Nachlässigkeit, Missbrauch, Änderungen oder abnormale Betriebsbedingungen bzw. unsachgemäße Handhabung. Die Verkaufsstellen sind nicht dazu berechtigt, diese Gewährleistung im Namen von Amprobe zu erweitern. Um während der Gewährleistungsperiode Serviceleistungen zu beanspruchen, das Produkt mit Kaufnachweis an ein autorisiertes Amprobe Test Tools Service-Center oder an einen Amprobe-Fachhändler/-Distributor einreichen. Einzelheiten siehe Abschnitt „Reparatur“ oben. DIESE GEWÄHRLEISTUNG STELLT DEN EINZIGEN UND ALLEINIGEN RECHTSANSPRUCH AUF SCHADENERSATZ DAR. ALLE ANDEREN GEWÄHRLEISTUNGEN - VERTRAGLICH GEREGETLIE ODER GESETZLICHE VORGESCHRIEBENE - EINSCHLIESSLICH DER GESETZLICHEN GEWÄHRLEISTUNG DER MARKTFÄHIGKEIT UND DER EIGNUNG FÜR EINEN BESTIMMTEN ZWECK, WERDEN ABGELEHNT DER HERSTELLER ÜBERNIMMT KEINE HAFTUNG FÜR SPEZIELLE, INDIKRETE, NEBEN- ODER FOLGESCHÄDEN ODER VERLUSTE, DIE AUF BELIEBIGER URSACHE ODER RECHTSTHEORIE BERUHEN. Weil einige Staaten oder Länder den Ausschluss oder die Einschränkung einer implizierten Gewährleistung sowie von Begleit- oder Folgeschäden nicht zulassen, ist diese Gewährleistungsbeschränkung möglicherweise für Sie nicht gültig.

Garantía limitada y Limitación de responsabilidad

Su producto Amprobe estará libre de defectos de material y mano de obra durante 1 año a partir de la fecha de adquisición. Esta garantía no cubre fusibles, baterías descartables o daños que sean consecuencia de accidentes, negligencia, uso indebido, alteración, contaminación o condiciones anormales de operación o manipulación. Los revendedores no están autorizados a extender ninguna otra garantía en nombre de Amprobe.

Para obtener servicio durante el periodo de garantía, regrese el producto con una prueba de compra a un centro de servicio autorizado por Amprobe de equipos de comprobación o a un concesionario o distribuidor de Amprobe. Consulte la sección Reparación que aparece más arriba para obtener detalles. ESTA GARANTÍA CONSTITUYE SU ÚNICO RESARCIMIENTO. TODAS LAS DEMÁS GARANTÍAS, TANTO EXPRESAS, IMPLICITAS O ESTADUTARIAS, INCLUYENDO LAS GARANTÍAS IMPLICITAS DE ADECUACIÓN PARA UN PROPÓSITO DETERMINADO O COMERCIALIZAD, QUEDAN POR LA PRESENTE DESCONOCIDAS. EL FABRICANTE NO DEBERÁ SER CONSIDERADO RESPONSABLE DE NINGÚN DAÑO O PÉRDIDA TANTO ESPECIALES, INDIRECTOS, CONTINGENTES O RESULTANTES QUE SURJAN DE CUALQUIER CAUSA O TEORÍA. Debido a que ciertos estados o países no permiten la exclusión o limitación de una garantía implícita o de los daños contingentes o resultantes, esta limitación de responsabilidad puede no regir para usted.

Begränsad garanti och inskränkning av ansvar

Denna Amprobe produkt garanteras vara fri från felaktigheter i material och utförande i ett år från inköpsdatum. Denna garanti innefattar inte säkringar och engångsbatterier, och inte heller skador som uppkommer som en följd av olyckshändelser, försrumselse, felaktig användning, ändring, nedsmutsning eller onormala förhållanden eller onormal hantering. Återförsäljare har inte rätt att lämna några ytterligare garantier åt Metermans vägnar. Om du behöver service under garantiperioden ska produkten, tillsammans med inköpsbevis, skickas in till ett auktoriserat Amprobe Test Tools Service Center eller till en återförsäljare eller distributör för Amprobe. Avsnittet Reparation innehåller uppgifter om detta. DENNA GARANTI UTGÖR DIN ENDA GOTTGÖRELSE. ALLA ANDRA GARANTIER – VÄRE SIG DESSA ÄR UTTRYCKLIGA, UNDERFÖRSTÄDDA ELLER LAGSTADGADE – INKLUSIVE UNDERFÖRSTÄDDA GARANTIER AVSEENDE LÄMPLIGHETEN FÖR ETT VISST SYFTE ELLER SÄLJBARHET, DEMENTERAS HÄRMED. TILLVERKAREN ÄR EJ ANSVARIG FÖR NÅGRA SPECIELLA SKADOR, INDIKRETA SKADOR, OFÖRUTSEDDA SKADOR ELLER FÖLJDSKADOR ELLER FÖRLUSTER, OAVSETT OM DE INTRÄFFAR PÅ GRUND AV GARANTIBROTET ELLER OM DE BASERAS PÅ KONTRAKT. Vissa stater eller länder tillåter inte undantag eller begränsningar av underförstådda garantier eller tillfälliga skador eller följskador, så denna ansvarsbegränsning gäller eventuellt inte dig.

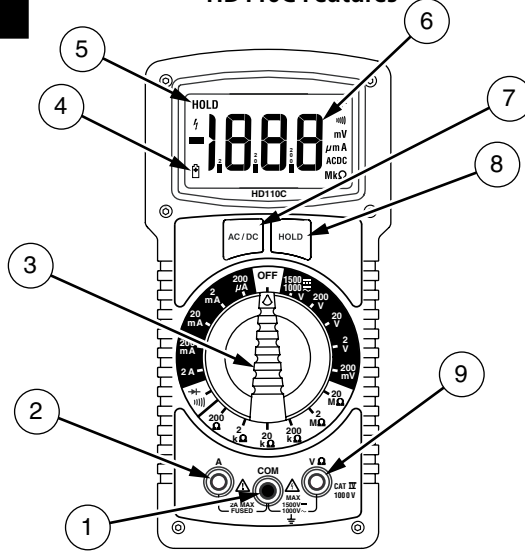


HD110C
Heavy-Duty Digital Multimeter
User Manual

English

HD110C

HD110C Features








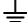

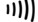





Number	Description
1	COM Input - common or low input for all measurements
2	Amp Input
3	Function/Range Selector Switch
4	Low Battery Indicator
5	Hold Indicator
6	3 1/2 Digit LCD with unit indicators
7	AC/DC Button
8	Hold Button
9	High input - voltage and resistance

HD110C Heavy-Duty Digital Multimeter

Contents

Symbols	2
Introduction.....	2
Warnings and Precautions.....	2
Instrument Familiarization	3
Overload Indication	3
Measuring Procedures	3
DC & AC Voltage Measurement (See Figure 1)	4
DC and AC Current Measurement (See Figure 2).....	4
Resistance Measurement (See Figure 3)	4
Diode and Continuity Test (See Figure 4)	4
AC/DC Button	5
Hold Button.....	5
Auto-Power Down	5
Incorrect Input Warning	5
Safety Test Leads	5
Optional Accessories	5
Specifications.....	6
Maintenance & Repair	8
Battery / Fuse Replacement (See Figure 5)	8
Repair.....	9

Symbols

	Battery		Refer to the manual
	Double insulated		Dangerous Voltage
	Direct Current		Earth Ground
	Alternating Current		Audible tone
	Fuse		Complies with EU directives
	Conforms to relevant Australian standards.		Canadian Standards Association. [Note: Canadian and US.]
	Do not dispose of this product as unsorted municipal waste. Contact Amprobe® or a qualified recycler for disposal.		

Introduction

The HD110C Heavy-Duty Digital Multimeter is a 3-1/2 digit, manual ranging, ac-coupled average measuring rms reading display instrument that measures: voltage, current, resistance, continuity, and diode junctions. Menu selection allows Data Hold and ac or dc voltage and current selection.

Warnings and Precautions

This instrument is EN61010-1 certified for Cat IV, 1000 V ac/1500 V dc and lower installations. Based on EN61010-1 transient requirements, this product should only be used in installations where transients do not exceed 12,000 volts (a 1.2 µs/50 µs pulse).

- All inputs are protected against continuous overload conditions up to the limits of each function's stated input protection (see specifications). Never exceed these limits or the ratings marked on the instrument itself.
- Exercise extreme caution when: measuring voltage >20 V, current >10 mA, ac power line with inductive loads, ac power line during electrical storms. High voltages can be lethal and high voltage transients may occur at any time.
- Operator injury or damage to the multimeter may occur during current measurements if the fuse blows in a circuit with open circuit voltage exceeding 1000 V ac/1500 V dc.
- Always inspect your DMM, test leads and accessories for signs of damage or abnormality before use. If an abnormal condition exists (broken or damaged test leads, cracked case, display not reading, etc.), do not use. The internal fuse cover is integral to the EN61010-1 Cat IV safety rating and must be in place to avoid potential shock hazards
- When testing for voltage or current, make sure these ranges function correctly. Take a reading of a known voltage or current first.
- Never ground yourself when taking measurements. Do not touch exposed metal pipes, outlets, fixtures, etc., which might be at ground potential. Keep your body isolated from ground and never touch exposed wiring, connections, test probe tips, or any live circuit conductors. Do not use the Flex-Strap to attach the meter to your body.
- Always measure current in series with the load – NEVER connect the multimeter

ACROSS a voltage source. Check fuse first.

- Never replace a fuse with one of a different rating.
- Do not operate instrument in an explosive atmosphere (flammable gases, fumes, vapor, dust.)
- Do not use this or any piece of test equipment without proper training
- **CRT SERVICE SAFETY REMINDER:** A potential danger exists when measuring voltages in the horizontal output and damper stages of CRT equipment. (High voltage transients greater than 8000 V). Refer to your CRT service manual for proper servicing instructions.

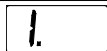
Instrument Familiarization

Your shipping carton should include the multimeter, a holster with Magne-Grip hanging strap, one test lead set (one black, one red) threaded alligator clips, one 9 V battery (installed), one 2 mm hex wrench (inside holster) and this manual. If any of the items are damaged or missing, immediately return the complete package to the place of purchase for an exchange.

Protective Holster

The holster/tilt stand protects the meter from accidental falls and provides greater ease of use. Both test lead probes can be attached to the holster for storage. One probe can be attached for measurement, holding the meter with probe in one hand and the second probe in the other hand.

Overload Indication



Overload Indication: (input exceeds meter's highest range) and Display Overload (input exceeds selected range) are both signaled by a 1 displayed on the left side of the LCD.

In the volts or amperage ranges Display Overload can be corrected by selecting a higher range to display the input reading. If the highest range is selected and the overload indication continues, this is now an Input Overload. Remove the test leads from the circuit immediately as input exceeds the meter's rated capability.

Note: In both instances, the overload indication is normal in the OHMS and Continuity/Diode ranges to indicate an open circuit. *Function Error* is signaled by a continuous tone when a test lead is placed in either the 2 A jack and the selector switch is not in the correct current range. If the meter is connected to a voltage source with test leads set for current, very high current could result. All current ranges are protected with fast acting fuses.

Battery Low: When the battery low indicator is displayed the battery has less than 50 hours operation and the accuracy of the meter can no longer be guaranteed.

Measuring Procedures

Turn the meter on by turning the function/range switch away from OFF and selecting the parameter you want to measure. If the parameter selected has more than one range position, the display will indicate the range by a changing position of the decimal point. Always select the highest range if the maximum potential reading is not known. Then turn the selector switch down in range to obtain the best resolution reading.

1. When connecting or disconnecting test leads to a circuit, always turn off power to device or circuit being tested and discharge all capacitors.
2. Strictly observe the max input limits.
3. Do not change functions while test leads are connected to circuit.

DC & AC Voltage Measurement (See Figure 1)

1. Connect test leads to the meter as shown in Figure 1.
2. Turn function selector switch to V and the desired range.
3. Press the AC/DC menu button to display either ac or dc indicator.
4. Touch Probe tips across voltage source (in parallel with circuit).
5. Voltage value will appear on Digital Display along with the voltage polarity (for dc).

DC and AC Current Measurement (See Figure 2)

1. Connect red test lead to the A input for current measurements up to 2 A. Connect black test lead to COM input connector.
2. Set the Function Switch to the desired current range.
3. Press the AC/DC menu button to display either AC or DC indicator.
4. Open circuit in which current is to be measured (voltage between this point and ground must not exceed 1000 V ac/1500 V dc). Securely connect test leads in series with the load.
5. Turn on power to circuit being tested.
6. Read current value on Digital Display.

Incorrect Input Warning: A tone will sound when a test lead is connected to the amperage jack, but the selector switch is not set to the correct current range. Ranges 200 μ A to 2 A require the test lead to be in the A jack.

Resistance Measurement (See Figure 3)

1. Turn off any power to the resistance to be measured and discharge any capacitors. Any voltage present during a resistance measurement will cause inaccurate readings.
2. Connect test leads to the meter as shown in Figure 3.
3. Set Function/Range Switch to the desired resistance range.
4. Connect test leads to circuit being measured.
5. Read resistance value on digital display. Open circuits will be displayed as "1".

Diode and Continuity Test (See Figure 4)

The diode test measures the voltage drop across a diode junction.

1. Connect the test leads as shown in Figure 4.
2. Set the Function/range switch to \rightarrow ||| .
3. Apply probe tip of red lead to the anode and the black lead to the cathode of the diode.
4. The meter's display indicates the forward voltage drop (approx. 0.6 V for silicon diode or 0.4 V for germanium diode). An open diode is indicated by "1".
5. Reverse test lead connections to the diode to perform a reverse bias test. "1" indicates a good diode.

Notes: "1" for both reverse and forward bias tests indicates an open diode. A low voltage reading for both bias tests indicates a shorted diode. If the diode is shunted by a resistor of 1000 Ω or less, it must be removed from the circuit before taking the measurement. Bipolar transistor junctions may be tested in the same manner described above as emitter-base and base-collector junctions are diode junctions.

When measuring continuity (also for shorted diodes) the meter emits a continuous tone when the resistance value falls below 50 Ω .

AC/DC Button



The AC/DC button works in conjunction with the Selector Switch to alternate the type of input desired for the Volts and Amperes ranges. Each press of the button will alternate the input type again and an ac or dc indication will be appear on the display.

Hold Button



Data Hold freezes the reading present on the LCD at the moment the button is pressed. To use this menu feature set up the meter for the type of measurement and range desired. Connect the test leads to the circuit/component to be measured, then press Hold. The LCD reading will freeze and display "HOLD." You may now remove the test leads and the reading will not change until you press Hold again.

Auto-Power Down

In order to save battery life, your multimeter powers down automatically after approximately 30 minutes of inactivity. You can turn it back on by turning the function selector switch to OFF and back to a measuring function.

Incorrect Input Warning

The meter sounds a steady audio tone and displays ∞ when a test lead is placed in the 2 A input jack and the Selector switch is not set to a correct current position. If the multimeter is connected to a voltage source with leads set for current, very high current could result. All current ranges are protected with fast acting fuses.

Safety Test Leads

The test leads included with your meter have shrouded banana plugs to eliminate the possibility of shock if the plugs accidentally pull out of the meter while making a measurement. Replacement part number for safety test leads is TL1500.

Optional Accessories

CT235A	1000 A ac/dc Clamp	FP700	2 A/1500 V Fuse
CT237A	200 A ac/dc Current Clamp	HV231-	High Voltage Probe
CT238A	20 A ac/dc Current Clamp	10A	Temperature Converter
DC205C	Deluxe Hard-Shell Carrying Case	TC253B	(900 °C/1652 °F)
DC207C	Large Deluxe Hard-Shell Carry Case with extra space for accessories	TL1500	Standard Replacement Test Leads with threaded alligator clips, CAT IV
		VC221B	Padded Vinyl Carrying Case

Specifications

General Specifications

Display: 3-1/2 digit LCD, 1999 counts, with annunciators and menu features

Polarity Indication: Automatic

Input overload indication: 1

Low Battery Indication: ⏻ < 50 hours battery life remain, accuracy is no longer guaranteed

Display Update Rate: 2.5/sec, nominal

Oper. Temp. (< 75 % R.H.): 0 °C to +50 °C

Storage Temp: -20 °C to 60 °C, 0 to 80 % RH, battery removed

Temperature coefficient: 0.1 x spec. accuracy /°C (0–18 °C and 28–50 °C) all functions and ranges except for mVDC

Temperature coefficient: 0.3 x spec. accuracy /°C (0–18 °C and 28–50 °C) for mVDC

Environment: Indoor use only.

Altitude: Up to 2000 m

Power: Standard 9 V battery, NEDA 1604, JIS 006P, IEC 6F22

Auto Power-Down: Meter powers down after approx. 30 min. of inactivity.

Battery Life: 250 hours typical with carbon-zinc, 500 hours typical with alkaline

Dimensions, with holster (H x W x D): 200 x 102 x 59 mm (7.9 in x 4.0 in x 2.3 in)

Weight (incl. battery): 642 g (1.4 lb)

Accessories: Test leads, battery (in instrument), hex wrench in holster, Magne-Grip flex strap and Users Manual

Case material: Flame retardant, high-impact thermoplastic

Safety: meets EN 61010-1 Cat IV - 1500 V dc and 1000 V ac rms, Class II EN60529:IP67

EMC: Meets EN 61326-1

CE This product complies with requirements of

the following European Community Directives: 89/336/EEC (Electromagnetic Compatibility) and 73/23/EEC (Low Voltage) as amended by 93/68/EEC (CE Marking).

However, electrical noise or intense electromagnetic fields in the vicinity of the equipment may disturb the measurement circuit. Measuring instruments will also respond to unwanted signals that may be present within the measurement circuit. Users should exercise care and take appropriate precautions to avoid misleading results when making measurements in the presence of electronic interference.

Electrical Specifications

Accuracies at 23 °C ± 5 °C, <75 % RH non-condensing, guaranteed for one year.

DC Volts

Ranges: 200 mV, 2 V, 20 V, 200 V, 1500 V

Resolution: 0.1 mV

Accuracy: All ranges $\pm(0.1\% \text{ rdg} + 2 \text{ dgts})$

Input Impedance: 10 M Ω

OL Protection: 1500 V dc/1000 V ac rms

Transient Protection: 12 kV impulse (1.2 $\mu\text{s}/50 \mu\text{s}$) based on EN 61010-1:2001 impulse requirement for at CAT IV 1000 V product. This product should not be used in installations where transients exceed 12 kV.

AC Volts (45 Hz to 2 kHz)

Ranges: 200 mV, 2 V, 20 V, 200 V, 1000 V

Resolution: 0.1 mV

Accuracy:

200 mV to 200 V (45-500 Hz): $\pm(0.8\% \text{ rdg} + 4 \text{ dgts})$

1000 V (50-60 Hz): $\pm(0.8\% \text{ rdg} + 4 \text{ dgts})$,

200 mV to 200 V (500 Hz-2 kHz): $\pm(1.5\% \text{ rdg} + 5 \text{ dgts})$,

1000 V (60-500 Hz): $\pm(1.5\% \text{ rdg} + 5 \text{ dgts})$

Input Impedance: 10 M Ω

OL Protection: 1500 V dc/1000 V ac rms

Transient Protection: 12 kV impulse (1.2 μ S/50 μ S) based on EN 61010-1:2001 impulse requirement for at CAT IV 1000 V product. This product should not be used in installations where transients exceed 12 kV.

DC Current

Ranges: 200 μ A, 2 mA, 20 mA, 200 mA, 2 A

Resolution: 0.1 μ A

Accuracy: 200 μ A to 20 mA: $\pm(0.5\% \text{ rdg}+2 \text{ dgts})$,
200 mA to 2 A: $\pm(1.0\% \text{ rdg}+2 \text{ dgts})$

Voltage Burden: 250 mV max.
(1 mV/1 μ A on 200 μ A Range),
(100 mV/1 mA on 2 mA Range),
(10 mV/1 mA on 20 mA Range),
(1.5 mV/1 mA on 200 mA Range),
(500 mV/1 A on 2 A Range)

OL Protection: A Input (F 2 A/1500 V,
size 8 x 65 mm IR fast blow ceramic)

AC Current (45 Hz to 1 kHz)

Ranges: 200 μ A, 2 mA, 20 mA, 200 mA, 2 A

Resolution: 0.1 μ A

Accuracy: 200 μ A to 20 mA: $\pm(0.8\% \text{ rdg}+4 \text{ dgts})$,
200 mA to 2 A: $\pm(1.2\% \text{ rdg}+4 \text{ dgts})$

Voltage Burden: 250 mV max. (1 V on 2 A range)

OL Protection: Same as DC Current.

Resistance

Ranges: 200 Ω , 2 k Ω , 20 k Ω , 200 k Ω , 2 M Ω , 20 M Ω

Resolution: 0.1 Ω

Accuracy: 200 Ω $\pm(0.5\% \text{ rdg}+4 \text{ dgts})$,
2 k Ω to 200 k Ω : $\pm(0.3\% \text{ rdg}+2 \text{ dgts})$,
2 M Ω : $\pm(1.0\% \text{ rdg}+4 \text{ dgts})$,
20 M Ω : $\pm(2.0\% \text{ rdg}+4 \text{ dgts})$

OL Protection: 1500 V dc/1000 V ac rms

Open Circuit Voltage, 200 Ω rng: 3.0 V dc typical;
all other rngs 0.3 V dc typical.

Diode/Continuity Test

Test Current: 1m A dc typical

Test/Open Circuit Voltage: 3.0 V dc Typical

Diode Accuracy: $\pm(1.5\% \text{ rdg} +2 \text{ dgts})$

Continuity Audible Threshold: < 50 Ω \pm 25 Ω

Response Time: <100 msec

OL Protection: 1500 V dc/1000 V ac rms

Maintenance & Repair

If there appears to be a malfunction during the operation of the meter, the following steps should be performed in order to isolate the cause of the problem:

1. Check the battery.
2. Review the operating instructions for possible mistakes in operating procedure.
3. Inspect and test the test probes for a broken or intermittent connection.
4. Inspect and test the fuse. See Fuse Replacement.

Except for the replacement of the battery or fuse, repair of the multimeter should be performed only by a Factory Authorized Service Center or by other qualified instrument service personnel. The front panel and case can be cleaned with a mild solution of detergent and water. Apply sparingly with a soft cloth and allow to dry completely before using. Do not use aromatic hydrocarbons or chlorinated solvents for cleaning.

Battery / Fuse Replacement (See Figure 5)

Warning

To prevent electrical shock or meter damage, disconnect the meter's test leads from any circuit and the meter then turn the meter off before removing the rear case cover.

Precautions

- The hex head case screws each have a washer and gasket integral to the meter's water/dust-proof integrity. Upon opening, be sure these are retained and replaced when closing.
- Prying the rear case cover off with a knife or screwdriver is not recommend as this may damage the case rim flanging and/or gasket and destroy the water/dust-proof integrity.
- The fuse cover is integral to the EN61010-1 Cat IV safety rating and must be replaced to avoid potential shock hazards.
- Battery or fuse replacement should be performed in a clean environment and with appropriate care taken to avoid contaminating the meter's interior components.
- There are no user serviceable parts or components on the circuit boards. Disassembly beyond the instructions listed below for battery and/or fuse replacement will void all warranties.

OPENING: Disconnect the test leads, turn off the meter and remove the holster. Remove the six hex head screws in the face plate using the 2 mm hex wrench mounted in holster. Remove the rear case cover carefully and place the front of the meter face down on a clean padded surface.

BATTERY REPLACEMENT: Disconnect the test leads, turn off the meter and remove the holster. Remove the 4 hex head battery cover screws from the rear case cover using the 2 mm hex wrench as Shown in Figure 5. Replace the battery with a NEDA type1604 or equivalent 9 V alkaline battery. Make sure the battery compartment seal is in good condition and properly aligned before replacing the cover and screws.

FUSE REPLACEMENT: Open the case by disconnecting the test leads, turn off the meter and remove the holster. Remove the six hex head screws in the face plate using the 2 mm hex wrench mounted in the holster. Remove the rear case cover carefully and place the front of the meter face down on a clean padded surface. The fuses are located under a protective cover. Lift off cover and carefully remove the fuse by gently prying under the fuse. Pry out the large fuse by placing a small flat screwdriver under the fuse's end caps. Do NOT use the gasket as a fulcrum point as this could permanently disfigure the gasket.

Warning

Use only the same size and type fuse specified. Use of higher amperage or lower voltage or different type fuses could result in shock, injury and/or damage to the meter. Replacement fuse is: 2 A/1500 V fast blow ceramic size 8 x 65 mm (small) fuse. Amprobe® p/n: FP700.

CLOSURE: Replace the fuse cover and replace rear case cover careful not to bend or pinch the case rim gasket. Reinstall the six hex-head screws with a gasket and washer and tighten securely with an even amount of torque on each. Do NOT over tighten as this may strip case threading. Turn on the meter and test operation. If working normally replace the holster.

Repair

All test tools returned for warranty or non-warranty repair or for calibration should be accompanied by the following: your name, company's name, address, telephone number, and proof of purchase. Additionally, please include a brief description of the problem or the service requested and include the test leads with the meter. Non-warranty repair or replacement charges should be remitted in the form of a check, a money order, credit card with expiration date, or a purchase order made payable to Amprobe® Test Tools.

In-Warranty Repairs and Replacement – All Countries

Please read the warranty statement and check your battery before requesting repair. During the warranty period any defective test tool can be returned to your Amprobe® Test Tools distributor for an exchange for the same or like product. Please check the "Where to Buy" section on www.amprobe.com for a list of distributors near you. Additionally, in the United States and Canada In-Warranty repair and replacement units can also be sent to a Amprobe® Test Tools Service Center (see address below).

Non-Warranty Repairs and Replacement – US and Canada

Non-warranty repairs in the United States and Canada should be sent to a Amprobe® Test Tools Service Center. Call Amprobe® Test Tools or inquire at your point of purchase for current repair and replacement rates.

In USA

Amprobe Test Tools

Everett, WA 98203

Tel: 877-AMPROBE (267-7623)

In Canada

Amprobe Test Tools

Mississauga, ON L4Z 1X9

Tel: 905-890-7600

Non-Warranty Repairs and Replacement – Europe

European non-warranty units can be replaced by your Amprobe® Test Tools distributor for a nominal charge. Please check the "Where to Buy" section on www.amprobe.com for a list of distributors near you.

European Correspondence Address*

Amprobe® Test Tools Europe

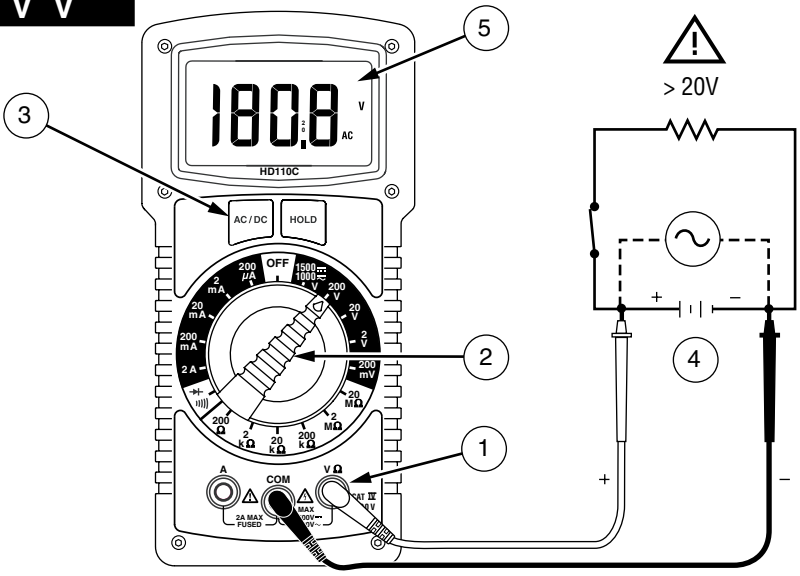
P.O. Box 1186

5602 BD Eindhoven

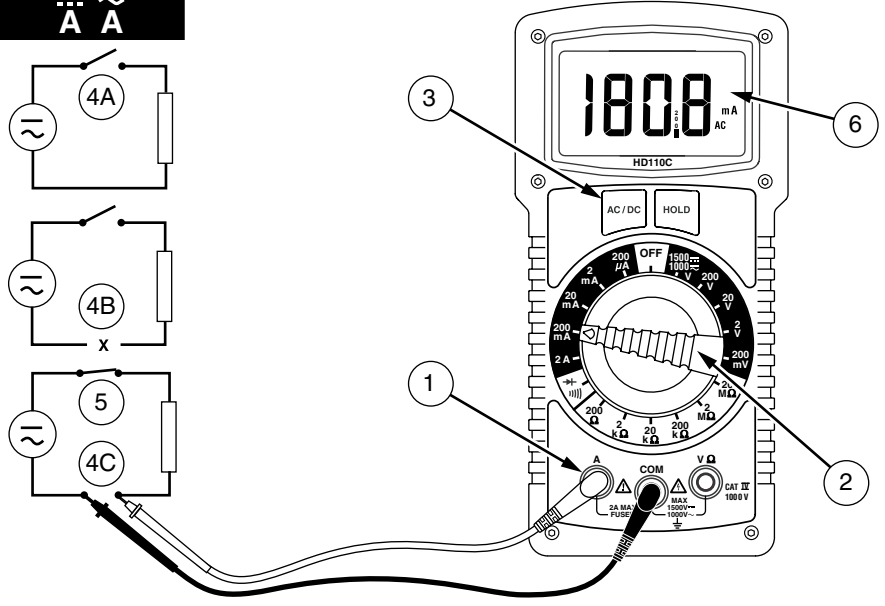
The Netherlands

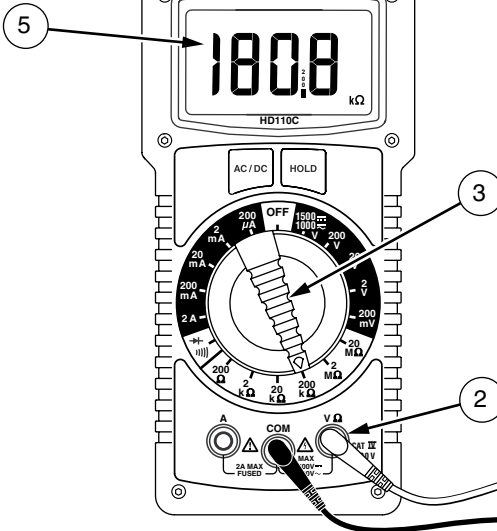
*(Correspondence only – no repair or replacement available from this address. European customers please contact your distributor.)

1 $\overline{\sim}$ \sim

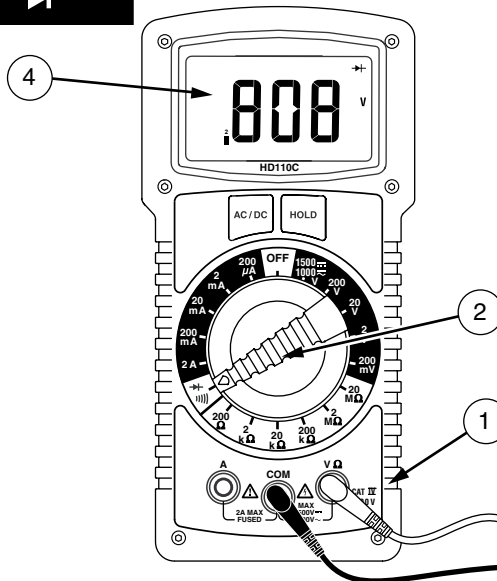


2 $\overline{\sim}$ \sim

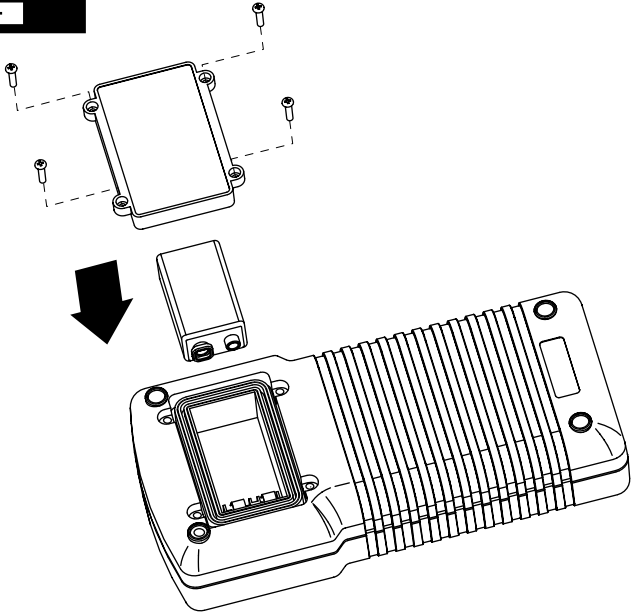


3 **Ω** **1**

- Discharge capacitors
- Décharger les condensateurs
- Scaricare i condensatori
- Kondensatorer entladen
- Descargue los condensadores
- Ladda ur kondensatorer

4 **\rightarrow** **1****3**

5





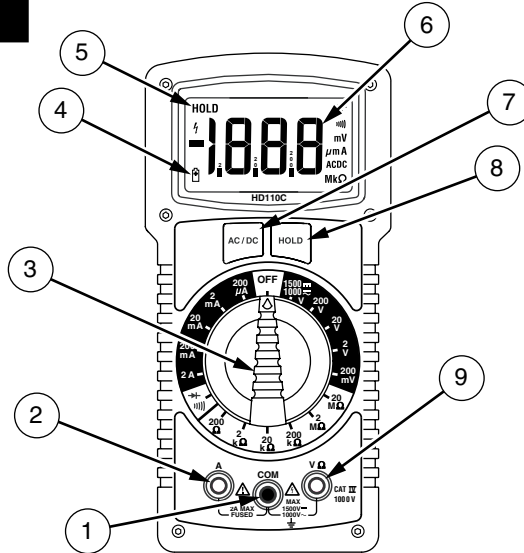
HD110C
Heavy-Duty
Digital Multimeter

Mode d'emploi

Français

Fonctions du HD110C

HD110C








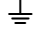

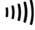





Numéro	Description
1	Entrée COM – entrée faible ou commune de toutes les mesures
2	Entrée des ampères
3	Sélecteur de gamme/fonction
4	Indicateur de pile faible
5	Indicateur de maintien d'affichage
6	Ecran LCD à 3,5 chiffres avec indication des unités
7	Touche c.a./c.c.
8	Touche de maintien d'affichage
9	Entrée élevée – tension et résistance

HD110C Heavy-Duty Digital Multimeter

Table des matières

Symboles.....	2
Introduction.....	2
Mises en garde et précautions	2
Apprentissage de l'instrument	3
Indication de surcharge	3
Techniques de mesure.....	3
Mesure de tension continue et alternative (voir Figure 1).....	4
Mesure de tension continue et alternative (voir Figure 2).....	4
Mesure de résistance (voir Figure 3)	4
Contrôle de diode et de continuité (voir Figure 4)	4
Touche AC/DC	5
Touche Hold.....	5
Mise en veille automatique	5
Signalement des entrées incorrectes	5
Cordons de test de sécurité	5
Accessoires en option.....	5
Spécifications	6
Entretien et réparations	8
Changement de la pile / des fusibles (voir Figure 5).....	8
Réparation.....	9

Symboles

	Batterie		Se reporter au mode d'emploi
	Double isolation		Tension dangereuse
	Courant continu		Prise de terre
	Courant alternatif		Signal sonore
	Fusible		Conforme aux directives de l'UE
	Conforme aux normes australiennes pertinentes.		<i>Association canadienne de normalisation</i> [Remarque : Canada et Etats-Unis.]
	Ne pas mettre ce produit au rebut avec les déchets ménagers. Contacter Amprobe® ou un centre de recyclage qualifié pour sa mise au rebut.		

Introduction

Le multimètre numérique à grand rendement HD110C est un instrument affichant des mesures efficaces moyennes couplées en courant alternatif, à mode de gamme manuel, 3,5 chiffres de résolution. Il mesure : la tension, le courant, la résistance, la continuité et les jonctions à diode. Les sélections de menu permettent de geler les données sur l'affichage et de choisir le courant et la tension alternatifs ou continus.

Mises en garde et précautions

Cet instrument est certifié EN61010-1 pour les installations Cat IV, 1000 V c.a./1500 V c.c. et inférieures. Conformément aux caractéristiques de transitoires EN61010-1, cet appareil ne doit être utilisé que si les transitoires dans les installations ne dépassent pas 12000 volts (une impulsion de 1,2 μ S/50 μ S).

- Toutes les entrées sont protégées contre les conditions de surcharge continues jusqu'aux seuils de protection d'entrée déclarés de chaque fonction (voir Spécifications). Ne jamais dépasser ces limites ou les valeurs nominales indiquées sur l'instrument proprement dit.
- Faire preuve d'extrême prudence en : mesurant les tensions > 20 V, les courants > 10 mA, les lignes d'alimentation secteur à charges inductives, les lignes d'alimentation secteur pendant les orages électriques. Les tensions élevées peuvent être mortelles et des transitoires à tension élevée peuvent se produire à tout moment.
- L'opérateur risque d'être blessé et le multimètre d'être endommagé pendant les mesures de courant si le fusible saute dans un circuit avec une tension en circuit ouvert supérieure à 1000 V c.a./1500 V c.c.
- Toujours inspecter le multimètre numérique, les cordons de mesure et les accessoires pour détecter tout dommage ou anomalie avant l'emploi. Ne pas utiliser l'instrument en présence d'une condition anormale (cordons de mesure endommagés ou brisés, boîtier fissuré, affichage sans mesure, etc.). Le capot interne de fusible fait partie intégrante de la norme de sécurité EN61010-1 Cat IV ; il doit être en place pour éviter les chocs électriques potentiels.
- S'assurer que ces gammes fonctionnent correctement en testant les tensions et les courants. Relever d'abord une mesure de courant ou de tension connue.
- Ne jamais se relier à la terre en prenant des mesures. Ne pas toucher les tuyaux métalliques exposés, les prises, les accessoires fixes, etc. qui peuvent avoir un potentiel à la terre. Le corps de l'utilisateur doit être isolé de la terre et ne jamais toucher les fils exposés, les branchements, les extrémités des sondes ni aucun conducteur de circuit sous

tension. Ne pas utiliser la sangle flexible pour s'attacher l'appareil au corps.

- Toujours mesurer le courant en série avec la charge – ne JAMAIS connecter le multimètre AUX BORNES d'une source de tension. Vérifier d'abord le fusible.
- Ne jamais installer un fusible de calibre différent.
- Ne pas utiliser l'appareil dans une atmosphère explosible (gaz inflammables, émanations, vapeurs ou poussières).
- Ne pas utiliser cet appareil ni aucun autre module de test sans avoir reçu la formation adéquate.
- **RAPPEL DE SECURITE SUR LE SERVICE DES TUBES CATHODIQUES** : La mesure de tensions dans les systèmes d'amortisseurs et dans le balayage horizontal des équipements à tubes cathodiques pose un danger potentiel. (Transitoires de tension élevée supérieurs à 8000 V.) Reportez-vous au manuel de service des tubes cathodiques pour les instructions d'intervention appropriées.

Apprentissage de l'instrument

Votre carton d'emballage doit inclure le multimètre, un étui avec sangle de suspension Magne-Grip, un jeu de cordons de mesure (un noir, un rouge) des pinces crocodiles filetées, une pile 9 V (installée), une clé hexagonale de 2 mm (dans l'étui) et ce mode d'emploi. Si l'un de ces éléments est endommagé ou manquant, renvoyez immédiatement le contenu complet de l'emballage au lieu d'achat pour l'échanger.

Etui de protection

La béquille et l'étui protègent l'appareil contre une chute accidentelle et facilitent son utilisation. Les deux sondes de test se fixent à l'étui pour leur rangement. Une sonde peut être fixée pour les mesures, l'opérateur tenant l'appareil avec la sonde d'une main et la deuxième sonde de l'autre.

Indication de surcharge

Indication de surcharge : (l'entrée dépasse la gamme supérieure du multimètre) et la surcharge affichée (l'entrée dépasse la gamme sélectionnée) sont signalées par 1 à gauche de l'écran LCD. Dans la gamme des ampères ou des volts, la surcharge affichée peut être corrigée en sélectionnant une gamme plus élevée pour la mesure d'entrée. Si la gamme la plus élevée est déjà sélectionnée et que l'indication de surcharge persiste, la charge est maintenant une surcharge d'entrée. Retirez les cordons de mesure du circuit immédiatement car l'entrée dépasse la capacité nominale du multimètre.

Remarque : Dans les deux cas, l'indication de surcharge est normale dans les gammes OHMS et Continuité/Diode pour indiquer un circuit ouvert. Une erreur de fonction est signalée par une tonalité continue lorsqu'un cordon est positionné entre la prise 2 A et que le sélecteur n'est pas réglé sur la gamme de courant correcte. Un courant très élevé risque de se produire si le multimètre est connecté à une source de tension avec le jeu de cordons de mesure placé pour une lecture de courant). Toutes les gammes de courant sont protégées par des fusibles instantanés.

Pile faible : Lorsque l'indicateur de pile faible est affiché, la pile assure une autonomie d'utilisation inférieure à 50 heures et la précision du multimètre n'est plus garantie.

Techniques de mesure



Mettez le multimètre sous tension en éloignant le sélecteur de fonction/gamme de la position OFF pour choisir le paramètre à mesurer. Si le paramètre sélectionné a plusieurs positions de gamme, l'affichage indique la gamme par un changement de position du point décimal. Sélectionnez toujours la gamme la plus élevée si la mesure potentielle maximale n'est pas connue. Réglez ensuite le sélecteur sur une gamme inférieure pour obtenir une mesure de résolution optimale.

1. En branchant ou en débranchant les cordons de mesure à un circuit, mettez toujours l'appareil ou le circuit testé hors tension et déchargez tous les condensateurs.
2. Respectez rigoureusement les limites d'entrée maximales.
3. Ne changez pas de fonctions alors que les cordons de mesure sont branchés au circuit.

Mesure de tension continue et alternative (voir Figure 1)

1. Branchez les cordons de mesure au multimètre conformément à la figure 1.
2. Réglez le sélecteur de fonction sur V et sur la gamme souhaitée.
3. Appuyez sur la touche du menu AC/DC pour afficher l'indication c.a. ou c.c.
4. Appliquez les pointes de sonde aux bornes de la source de tension (en parallèle au circuit).
5. La tension mesurée apparaît sur l'affichage numérique, avec la polarité de tension (pour le courant continu).

Mesure de tension continue et alternative (voir Figure 2)

1. Reliez le cordon de mesure rouge dans l'entrée A pour les mesures de courant jusqu'à 2 A. Reliez le cordon de mesure noir au connecteur d'entrée COM.
2. Réglez le sélecteur de fonction sur la gamme de courant souhaitée.
3. Appuyez sur la touche du menu AC/DC pour afficher l'indication c.a. ou c.c.
4. Coupez le circuit sur lequel le courant doit être mesuré (la tension entre ce point et la terre ne doit pas dépasser 1000 V c.a./1500 V c.c.). Branchez solidement les cordons de mesure en série avec la charge.
5. Mettez le circuit à mesurer sous tension.
6. Relevez la mesure de courant sur l'affichage numérique.

Signallement des entrées incorrectes : Une tonalité retentit lorsqu'un cordon de mesure est branché à la prise des ampères alors que le sélecteur n'est pas réglé sur la gamme de courant appropriée. La présence du cordon de mesure dans la prise A est obligatoire pour les gammes de 200 μ A à 2 A.

Mesure de résistance (voir Figure 3)

1. Coupez l'alimentation à la résistance à mesurer et déchargez les condensateurs. La présence d'une tension pendant une mesure de résistance entraîne des lectures erronées.
2. Branchez les cordons de mesure au multimètre conformément à la figure 3.
3. Réglez le sélecteur de fonction/gamme sur la gamme de résistance souhaitée.
4. Branchez les cordons de mesure au circuit mesuré.
5. Relevez la mesure de résistance sur l'affichage numérique. Les circuits ouverts sont indiqués par « 1 ».

Contrôle de diode et de continuité (voir Figure 4)

Le contrôle de diode mesure la baisse de tension aux bornes d'une jonction à diode.

1. Branchez les cordons de mesure conformément à la figure 4.
2. Réglez le commutateur de fonction/gamme sur $\rightarrow \text{|||}$.
3. Appliquez l'embout de la sonde du cordon rouge contre l'anode et le cordon noir contre la cathode de la diode.
4. L'affichage du multimètre indique la baisse de tension dans le sens direct (approx. 0,6 V pour une diode au silicium ou 0,4 V pour une diode au germanium). Une diode ouverte est indiquée par « 1 ».
5. Inversez les branchements des cordons de mesure à la diode pour exécuter un test de polarité inversée. « 1 » indique une diode en bon état.

Remarques : Une diode ouverte lors des tests de polarité directe ou inversée est signalée par « 1 ». Une lecture de basse tension pour les deux tests de polarité indique une diode en court-circuit. Si la diode est shuntée par une résistance égale ou inférieure à 1000 Ω , elle doit être retirée du circuit avant la mesure. Les jonctions des transistors bipolaires peuvent être testées de la façon décrite car les jonctions émetteur-base et base-collecteur sont des jonctions à diode.

Quand le multimètre mesure la continuité (ou les diodes en court-circuit), il émet une tonalité continue lorsque la résistance mesurée tombe en dessous de 50 Ω .

Touche AC/DC



La touche AC/DC fonctionne en association avec le sélecteur pour alterner le type d'entrée souhaité en fonction des gammes des ampères et des volts. Chaque pression de la touche permet de basculer de nouveau le type d'entrée et une indication c.a. ou c.c. apparaît sur l'affichage.

Touche Hold



Le maintien de l'affichage gèle la mesure affichée sur l'écran LCD lorsque la touche est activée. Pour utiliser cette fonction de menu, configurez le multimètre pour le type de mesure et la gamme souhaités. Branchez les cordons de mesure au circuit/composant à mesurer et appuyez sur Hold. La mesure affichée sur l'écran LCD est figée et « HOLD » apparaît. Vous pouvez maintenant retirer les cordons ; la mesure reste affichée tant que la touche Hold n'est pas réactivée.

Mise en veille automatique

Pour économiser la charge de la pile, le multimètre s'éteint automatiquement après une trentaine de minutes d'inactivité. Vous pouvez le remettre en marche en éloignant le sélecteur de fonction de la position OFF pour choisir une fonction de mesure.

Signalement des entrées incorrectes

Le multimètre émet une tonalité sonore fixe et affiche R lorsqu'un cordon de mesure est connecté au jack d'entrée 2 A si le sélecteur n'est pas réglé sur une position de mesure de courant appropriée. Un courant très élevé risque de se produire si le multimètre est connecté à une source de tension à l'aide du jeu de cordons de mesure placés pour une lecture de courant. Toutes les gammes de courant sont protégées par des fusibles instantanés.

Cordons de test de sécurité

Les cordons de mesure inclus au multimètre sont munis de fiches bananes gainées pour éliminer le risque de choc électrique en cas de retrait accidentel des fiches du multimètre pendant la mesure. Le numéro de référence des cordons de test de sécurité est TL1500.

Accessoires en option

CT235A	Pince de courant 1000 A c.a./c.c.	FP700	Fusible 2 A/1500 V
CT237A	Pince ampèremétrique 200 A c.a./c.c.	HV231-10A	Sonde haute tension
CT238A	Pince ampèremétrique 20 A c.a./c.c.	TC253B	Convertisseur de température (900 °C/1 652 °F)
DC205C	Mallette de transport rigide de luxe	TL1500	Cordons de rechange standard avec pinces crocodiles filetées, CAT IV
DC207C	Grande mallette de transport rigide de luxe avec rangements d'accessoires supplémentaires	VC221B	Sacoche de transport rembourrée en vinyle


Spécifications

Caractéristiques générales

Affichage : Ecran LCD à 3,5 chiffres, 1999 comptes avec fonctions de menus et indicateurs

Indication de polarité : Automatique

Indication de surcharge d'entrée : 1

Témoin de décharge de la pile :  Si l'autonomie de la pile est inférieure à < 50 heures, la précision n'est plus garantie

Fréquence de rafraîchissement de l'affichage : 2,5/s, nominal

Température de fonctionnement (< 75 % H.R.) : 0 ° à +50 °C

Température d'entreposage : -20 °C à 60 °C, 0 à 80 % HR, pile désinstallée

Coefficient thermique : 0,1 x (précision spéc.)/°C (0 ° à 18 °C et 28° à 50 °C) toutes les fonctions et gammes excepté le mVDC

Coefficient thermique : 0,3 x (précision spéc.)/°C (0 ° à 18 °C et 28° à 50 °C) pour le mVDC

Environnement : Uniquement à l'intérieur de locaux.

Altitude : Jusqu'à 2000 m

Alimentation : Pile 9 V standard, NEDA 1604, JIS 006P, CEI 6F22

Mise en veille automatique : Le multimètre s'éteint après environ 30 mn d'inactivité.

Durée de vie : 250 heures typiques avec une pile au carbone-zinc, 500 heures typique avec une pile alcaline

Dimensions avec étui (H x l x L) : 200 x 102 x 59 mm (7,9 x 4,0 x 2,3 pouces)

Poids (avec pile) : 642 g (1,4 lb)

Accessoires : Cordons de mesure, pile (dans l'instrument), clé hexagonale dans l'étui, sangle flexible Magne-Grip et mode d'emploi

Matériau du boîtier : Thermoplastique à fort impact, ignifuge

Sécurité : conforme à EN 61010-1 Cat IV – 1500 V c.c. et 1000 V c.a. eff., classe II EN60529:IP67

CEM : Conforme à EN 61326-1

CE Ce produit est conforme aux exigences des directives suivantes de la Communauté européenne : 89/ 336/ CEE (Compatibilité électromagnétique) et 73/ 23/ CEE (Basse tension) modifiée par 93/ 68/ CEE (marquage CE).

Toutefois, le bruit électrique ou les champs électromagnétiques intenses à proximité de l'équipement sont susceptibles de perturber le circuit de mesure. Les appareils de mesure réagissent également aux signaux indésirables parfois présents dans le circuit de mesure. Les utilisateurs doivent faire preuve de prudence et prendre les mesures nécessaires pour éviter les erreurs de mesure en présence de parasites électromagnétiques.

Caractéristiques électriques

Précisions à 23 °C ± 5 °C, < 75 % HR sans condensation, garantie un an.

Volts c.c.

Gammes : 200 mV, 2 V, 20 V, 200 V, 1500 V

Résolution : 0,1 mV

Précision : Toutes gammes ± (0,1 % du résultat +2 chiffres)

Impédance d'entrée : 10 MΩ

Protection contre les surcharges (OL) : 1500 V c.c. / 1000 V c.a. eff.

Protection contre les transitoires : Impulsion de 12 kV (1,2 μS/50 μS) selon les caractéristiques d'impulsion EN 61010-1:2001 pour les appareils CAT IV 1000 V. Cet appareil ne doit pas être utilisé si les transitoires dans les installations dépassent 12 kV.

Volts c.a. (45 Hz à 2 Hz)

Gammes : 200 mV, 2 V, 20 V, 200 V, 1000 V

Résolution : 0,1 mV

Précision : 200 mV à 200 V (45 à 500 Hz) : \pm (0,8 % du résultat +4 chiffres) 1000 V (50 à 60 Hz) : \pm (0,8 % du résultat +4 chiffres) ; 200 mV à 200 V (500 Hz à 2 kHz) : \pm (1,5 % du résultat +5 chiffres) 1000 V (60 à 500 Hz) : \pm (1,5 % du résultat +5 chiffres)

Impédance d'entrée : 10 M Ω

Protection contre les surcharges (OL) : 1500 V c.c. / 1000 V c.a. eff.

Protection contre les transitoires : Impulsion de 12 kV (1,2 μ S/50 μ S) selon les caractéristiques d'impulsion EN 61010-1:2001 pour les appareils CAT IV 1000 V. Cet appareil ne doit pas être utilisé dans les installations où les transitoires dépassent 12 kV.

Courant c.c.

Gammes : 200 μ A, 2 mA, 20 mA, 200 mA, 2 A

Résolution : 0,1 μ A

Précision : 200 μ A à 20 mA : \pm (0,5 % du résultat +2 chiffres), 200 mA à 2 A : \pm (1,0 % du résultat +2 chiffres)

Tension de charge : 250 mV max. (1 mV/1 μ A sur la gamme 200 μ A) (100 mV/1 mA sur la gamme 2 mA), (10 mV/1 mA sur la gamme 20 mA), (1,5 mV/1 mA sur la gamme 200 mA), (500 mV/1 A sur la gamme 2 A)

Protection contre les surcharges (OL) : Entrée A (F 2 A/1500 V, fusible instantané à élément céramique IR de 8 x 65 mm)

Courant c.a. (45 Hz à 1 kHz)

Gammes : 200 μ A, 2 mA, 20 mA, 200 mA, 2 A

Résolution : 0,1 μ A

Précision : 200 μ A à 20 mA : \pm (0,8 % du résultat +4 chiffres), 200 mA à 2 A : \pm (1,2 % du résultat +4 chiffres)

Tension de charge : 250 mV max. (1 V sur la gamme 2 A)

Protection contre les surcharges (OL) : Identique au courant c.c.

Résistance

Gammes : 200 Ω , 2 k Ω , 20 k Ω , 200 k Ω , 2 M Ω , 20 M Ω

Résolution : 0,1 Ω

Précision, 200 Ω \pm (0,5 % du résultat +4 chiffres), 2 k Ω à 200 k Ω \pm (0,3 % du résultat +2 chiffres), 2 M Ω \pm (1,0 % du résultat +4 chiffres), 20 M Ω \pm (2,0 % du résultat +4 chiffres)

Protection contre les surcharges (OL) : 1500 V c.c. / 1000 V c.a. eff.

Tension de circuit ouvert, 200 Ω rng : 3,0 V c.c. typique ; toutes les autres rngs 0,3 V c.c. typique.

Contrôle de diode/Continuité

Courant de test : 1 mA c.c. typique

Tension de circuit ouvert/test : 3,0 V c.c. normal

Diode Précision : \pm (1,5 % du résultat +2 chiffres)

Protection contre les surcharges (OL) : 1500 V c.c. / 1000 V c.a. eff.

Continuité Seuil sonore : < 50 Ω \pm 25 Ω

Temps de réponse : < 100 ms

Entretien et réparations

Si une anomalie est suspectée pendant le fonctionnement du multimètre, procédez comme suit pour isoler la cause du problème :

1. Vérifiez la pile.
2. Consultez les consignes d'utilisation pour vérifier les erreurs possibles lors de l'utilisation.
3. Inspectez et testez les sondes de test pour détecter un branchement intermittent ou brisé.
4. Inspectez et testez le fusible. Reportez-vous à Changement des fusibles.

Les interventions sur le multimètre, à l'exception du changement de la pile ou des fusibles, doivent être effectuées en usine dans un centre de service agréé ou par un autre personnel de réparation qualifié. La face avant et le boîtier peuvent être nettoyés à l'aide d'une solution légère à base d'eau et de détergent. Appliquez cette solution avec modération en utilisant un tissu doux et laissez bien sécher avant l'utilisation. N'utilisez pas de solvants à base de chlore ou d'hydrocarbures aromatiques pour le nettoyage.

Changement de la pile / des fusibles (voir Figure 5)



Avertissement

Pour éviter les chocs électriques ou l'endommagement du multimètre, débrancher les cordons de mesure du circuit et du multimètre et mettre l'appareil hors tension avant de retirer la face dorsale du boîtier.

Précautions

- Chaque vis à tête hexagonale est munie d'une rondelle et d'un joint solidaires du multimètre pour l'étanchéité à l'eau et aux poussières. Conservez ces éléments après l'ouverture du capot et n'oubliez pas de les replacer à la fermeture.
- L'ouverture de la face dorsale du boîtier à l'aide d'un couteau ou d'un tournevis n'est pas recommandée car cela risque d'endommager le joint et/ou le flasque sur le rebord du boîtier et de détruire l'étanchéité aux liquides et aux poussières.
- Le capot de fusible fait partie intégrante de la norme de sécurité EN61010-1 Cat IV ; il doit être remis en place pour éviter les chocs électriques potentiels.
- Les fusibles ou la pile doivent être remplacés dans un environnement propre et avec soin pour ne pas contaminer les composants internes du multimètre.
- Les cartes à circuits imprimés ne contiennent aucune pièce ou composant réparables. Tout démontage en dehors des instructions fournies ci-dessous sur le changement de la pile ou des fusibles annule toutes les garanties.

OUVERTURE : Débranchez les cordons de mesure, éteignez le multimètre et retirez l'étui. Retirez les six vis à tête hexagonale de la plaque frontale en utilisant la clé hexagonale de 2 mm montée dans l'étui. Retirez avec soin le capot arrière du boîtier et placez la face avant du multimètre sur une surface matelassée et propre.

CHANGEMENT DE LA PILE : Débranchez les cordons de mesure, éteignez le multimètre et retirez l'étui. Retirez les 4 vis de fixation à tête hexagonale du capot arrière en utilisant la clé hexagonale de 2 mm conformément à la figure 5. Installez une pile alcaline de 9 V type NEDA 1604 ou équivalent. Vérifiez l'étanchéité du logement de pile et son alignement avant de remettre les vis et le capot en place.

REMPLACEMENT DES FUSIBLES : Ouvrez le boîtier en débranchant les cordons de mesure, éteignez le multimètre et retirez l'étui. Retirez les six vis à tête hexagonale de la plaque frontale en utilisant la clé hexagonale de 2 mm montée dans l'étui. Retirez avec soin le capot arrière du boîtier et posez la face avant du multimètre sur une surface matelassée et propre. Les fusibles sont situés sous un capot de protection. Soulevez le capot et retirez soigneusement le fusible en le soulevant délicatement par dessous. Extrayez le gros fusible en positionnant un petit tournevis plat sous les capuchons d'extrémité du fusible. N'utilisez PAS le joint étanche comme point d'appui car cela risque de fausser définitivement le joint.

⚠ ⚠ Avertissement

Utiliser uniquement un fusible de même type et de même calibre que celui spécifié. L'utilisation d'une intensité supérieure ou d'une tension inférieure ou de différents types de fusibles peut provoquer des chocs électriques, des blessures et/ou l'endommagement du multimètre. Le fusible de recharge est : un (petit) fusible instantané en céramique de 2 A/1500 V et 8 x 65 mm. Réf. Amprobe® : FP700.

FERMETURE : Remplacez soigneusement le capot de fusible et la face dorsale en veillant à ne pas plier ou coincer le joint sur le rebord du boîtier. Réinstallez les six vis à tête hexagonale avec un joint et une rondelle et appliquez un couple de serrage uniforme sur chaque vis. Ne serrez PAS excessivement pour ne pas fausser le filetage du boîtier. Mettez le multimètre sous tension et testez son fonctionnement. Si l'appareil fonctionne correctement, remettez-le dans son étui.

Réparation

Tous les appareils qui sont envoyés pour réparation ou calibrage dans le cadre de la garantie ou en dehors de la garantie doivent être accompagnés de ce qui suit: Nom du client, nom de la firme, adresse, numéro de téléphone et preuve d'achat. Prière de joindre en outre à l'appareil de mesure une brève description du problème ou de la maintenance désirée ainsi que les lignes de mesure. Les frais pour les réparations en dehors de la garantie ou pour le remplacement d'instruments doivent être payés par chèque, virement bancaire, carte de crédit (numéro de carte de crédit avec date d'expiration) ou une commande doit être formulée au bénéfice de Amprobe Test Tools.

Réparations ou remplacement sous garantie – tous les pays.

Veillez lire la déclaration de garantie subséquente et contrôler la pile avant de demander des réparations. Pendant la période de garantie, tous les appareils défectueux peuvent être renvoyés à un distributeur Amprobe Test Tools pour remplacement par un appareil identique ou un produit similaire. Un répertoire des distributeurs agréés se trouve dans la section « Where to Buy » (points de vente) sur le site web www.amprobe.com. De plus, aux USA et au Canada, les appareils peuvent être envoyés à un centre de service après-vente Amprobe Test Tools (adresse voir plus loin) pour réparation ou remplacement.

Réparations ou remplacement en dehors de la garantie - USA et Canada

Pour les réparations en dehors de la garantie aux Etats-Unis et au Canada, les appareils sont envoyés à un centre de service après-vente Amprobe Test Tools. Vous pouvez obtenir des renseignements sur les prix de réparation et de remplacement actuellement en vigueur auprès de Amprobe Test Tools ou du point de vente.

Aux USA :

Amprobe Test Tools
Everett, WA 98203
Tél.: 877-AMPROBE (267-7623)

Au Canada :

Amprobe Test Tools
Mississauga, ON L4Z 1X9
Tél.: 905-890-7600

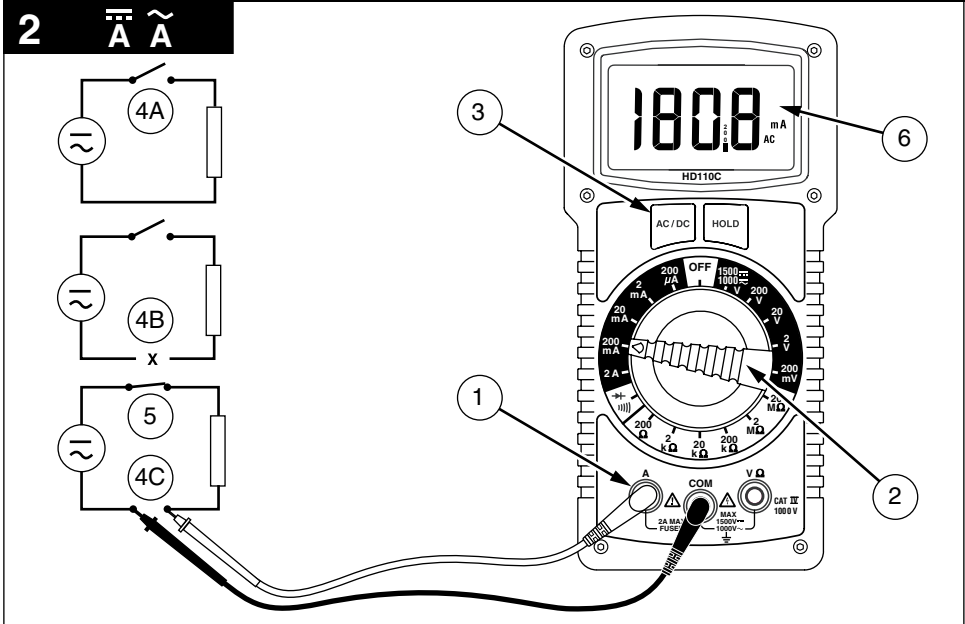
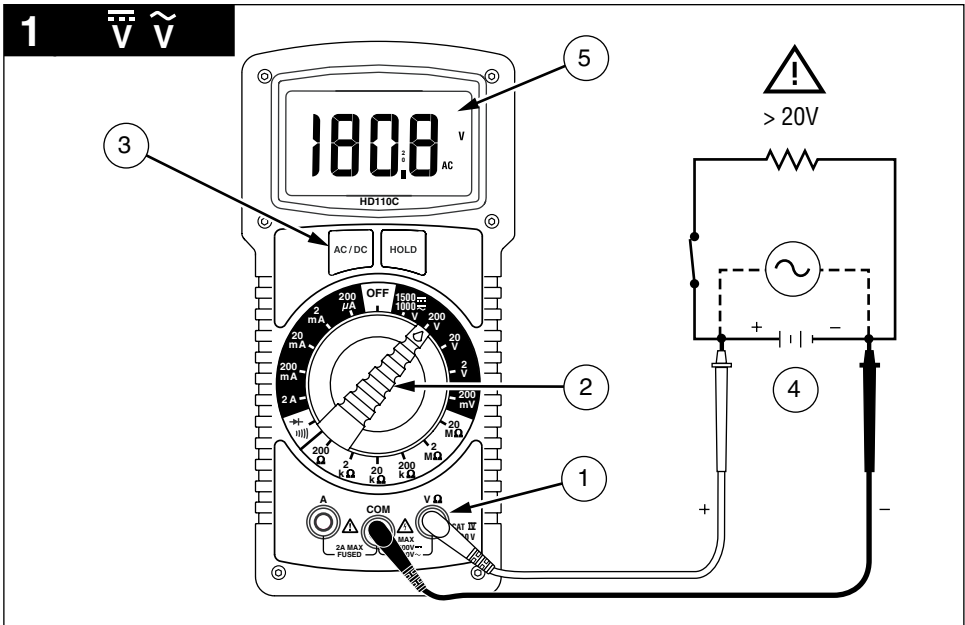
Réparations ou remplacement en dehors de la garantie - Europe

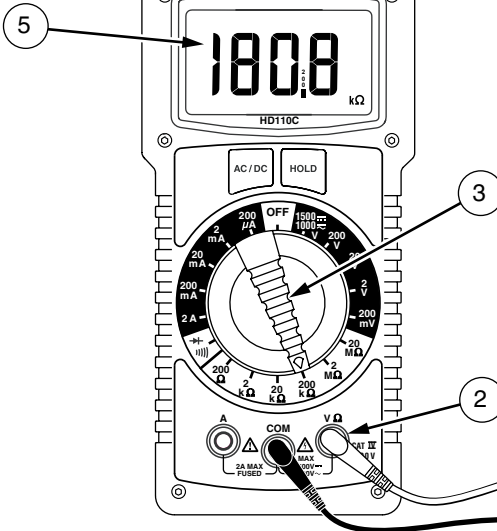
Les appareils hors garantie peuvent être remplacés contre paiement par le distributeur Amprobe Test Tools compétent. Un répertoire des distributeurs agréés se trouve dans la section « Where to Buy » (points de vente) sur le site web www.amprobe.com.

Adresse de correspondance pour l'Europe*

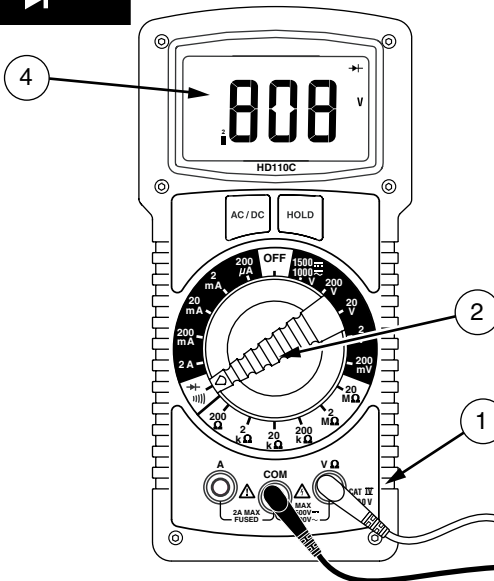
Amprobe Test Tools Europe
P. O. Box 1186
5602 BD Eindhoven
Pays-Bas

*(Uniquement correspondance – pas de réparations, pas de remplacement à cette adresse. Les clients en Europe s'adressent au distributeur compétent.)

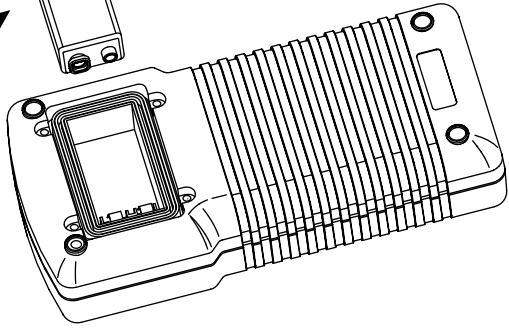
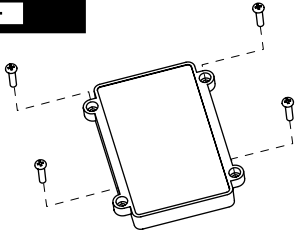


3**Ω**

Discharge capacitors
 Décharger les condensateurs
 Scaricare i condensatori
 Kondensatorer entladen
 Descargue los condensadores
 Ladda ur kondensatorer

1**4****↔**

5





HD110C

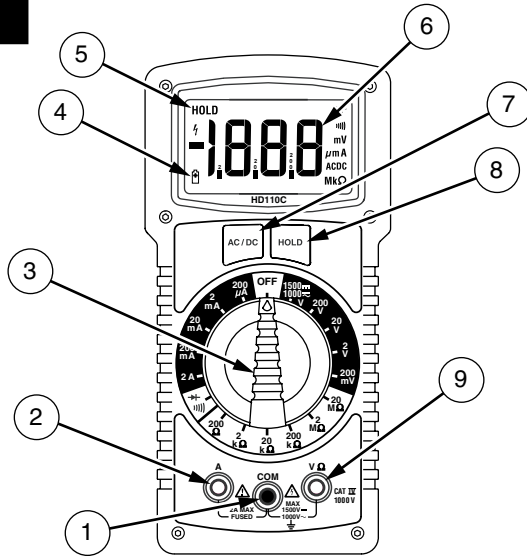
Heavy-Duty
Digital Multimeter

Bedienungshandbuch

Deutsch

HD110C Merkmale

HD110C










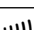

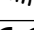
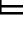


Nr.	Beschreibung
1	COM-Eingang - gemeinsamer oder Tiefpegel-Eingang für alle Messungen
2	Ampere-Eingang
3	Funktions-/Bereichsauswahlschalter
4	Anzeige für schwache Batterie
5	Hold-Anzeiger
6	3 ½ Stellen LCD mit Einheitsanzeiger
7	AC/DC-Taste
8	Hold-Taste
9	Hochpegel-Eingang - Spannung und Widerstand

HD110C Hochfestes Digitalmultimeter

Inhalt

Symbole	2
Einführung.....	2
Warnungen und Sicherheitshinweise	2
Erste Schritte mit dem Messgerät	3
Überlastanzeige	3
Messverfahren.....	3
Gleichspannungs- und Wechselspannungsmessung (siehe Abbildung 1)	4
Gleichstrom- und Wechselstrommessung (siehe Abbildung 2)	4
Widerstandsmessung (siehe Abbildung 3)	4
Diodentest und Durchgangsprüfung (siehe Abbildung 4)	4
AC/DC-Taste	5
Hold-Taste.....	5
Automatische Ausschaltung	5
Warnung „inkorrektter Eingang“	5
Sicherheitsmessleitungen	5
Optionales Zubehör	5
Spezifikationen	6
Wartung und Reparatur	8
Wechseln von Batterie und Sicherung (siehe Abbildung 5)	8
Reparatur.....	9

Symbole

	Batterie		Im Handbuch nachlesen
	Schutzisoliert		Gefährliche Spannung
	Gleichstrom (Direct Current, DC)		Erde, Masse
	Wechselstrom (Alternating Current, AC)		Akustischer Alarm
	Sicherung		Übereinstimmung mit EU-Vorschriften
	Übereinstimmung mit den relevanten australischen Normen		Canadian Standards Association. [Hinweis: Kanada und USA]
	Dieses Produkt nicht im unsortierten Kommunalabfall entsorgen. Für Entsorgung mit Amprobe® oder einer befähigten Recycling-Einrichtung Kontakt aufnehmen.		

Einführung

Das HD110C Hochfeste Digitalmultimeter ist ein wechselstromgekoppeltes 3-1/2 Stellen Effektivwert-Messgerät mit manueller Bereichswahl, das folgenden Größen misst: Spannung, Stromstärke, Widerstand, Durchgang und Diodenübergänge. Die Menüauswahl ermöglicht Datenhaltemodus und Wechsel- oder Gleichspannung sowie Stromstärke.

Warnungen und Sicherheitshinweise

Dieses Gerät ist zertifiziert gemäß EN61010-1 für Cat IV, 1000 V Wechselspannung/1500 V Gleichspannung und niedrige Installationen. Dieses Produkt sollte gemäß EN61010-1 Störgrößenanforderungen ausschließlich in Installationen verwendet werden, in denen Störgrößen 12.000 Volt (ein 1,2 μ S/50 μ S Impuls) nicht übersteigen.

- Alle Eingänge sind gegen fortdauernde Überlastbedingungen bis zu den Grenzwerten des Nenneingangsschutzes der einzelnen Funktionen geschützt (siehe Spezifikationen). Diese Grenzwerte bzw. die am Messgerät vermerkten Nennwerte niemals überschreiten.
- Äußerste Vorsicht walten lassen: beim Messen von Spannung > 20 V, Stromstärke > 10 mA, Wechselspannungsleitungen mit Induktivlasten, Wechselspannungsleitungen während Gewittern. Hochspannungen können lebensgefährlich sein und Hochspannungsspitzen können jederzeit auftreten.
- Bedienerverletzung oder Beschädigung des Multimeters kann während Strommessungen auftreten, wenn die Sicherung durchbrennt und Spannungen im offenen Stromkreis 1000 V Wechselspannung/1500 V Gleichspannung überschreiten.
- Das DMM, die Messleitungen und jegliches Zubehör vor Gebrauch stets auf Zeichen von Beschädigung oder Abnormalität untersuchen. Wenn eine abnormale Bedingung existiert (unterbrochene oder anderweitig beschädigte Messleitungen, geborstenes Gehäuse, Anzeige zeigt nicht an usw.), das Gerät nicht verwenden. Die interne Sicherungsabdeckung ist eine Komponente der EN61010-1 Cat IV Sicherheit und muss vorhanden sein, um mögliche Stromschlaggefahr zu vermeiden.
- Beim Prüfen auf Spannung oder Stromstärke sicherstellen, dass diese Bereiche korrekt funktionieren. Zuerst eine Messung einer bekannten Spannung oder Stromstärke durchführen.
- Sich selbst isolieren, wenn Messungen durchgeführt werden. Keine exponierten Metallrohre, Steckdosen, Vorrichtungen usw. berühren, die u. U. Erdungspotential aufweisen. Den eigenen Körper erdfrei halten und niemals exponierte Drähte,

Anschlüsse, Prüfspitzen/Messleitungen oder stromführende Stromkreisleiter berühren.
Das Messgerät nicht mit dem Flex-Strap am eigenen Körper anbringen.

- Strommessung immer in Serie mit der Last - das Multimeter NIEMALS über eine Spannungsquelle anschließen. Zuerst die Sicherung prüfen.
- Niemals eine Sicherung durch eine Sicherung anderer Nennlast ersetzen.
- Das Gerät nicht in explosiver Umgebung betreiben (entzündliche Gase/Dämpfe/Dunst/Staub).
- Weder dieses Gerät noch andere Prüfausrüstung ohne angemessene Ausbildung verwenden.
- **HINWEIS ZUR SERVICESICHERHEIT BEI KATHODENSTRAHLRÖHREN:** Eine potentielle Gefahr existiert beim Messen von Spannungen in den Horizontalablenkungs- und Schalterdioden-Stufen von Geräten mit Kathodenstrahlröhren. (Hochspannungsspitzen größer als 8000 V.) Für geeignete Serviceanweisungen im Servicehandbuch zur Kathodenstrahlröhre nachschlagen.

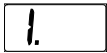
Erste Schritte mit dem Messgerät

Der Verpackungskarton sollte Folgendes enthalten: das Multimeter, ein Holster mit Magne-Grip-Aufhänger, ein Messleitungssatz (1 schwarz, 1 rot), Gewinde-Krokodilklemmen, eine 9 V Batterie (installiert), ein 2 mm Sechskantschlüssel (im Holster) sowie dieses Handbuch. Wenn einer dieser Artikel beschädigt ist oder fehlt, unverzüglich die gesamte Sendung für einen Austausch an die Verkaufsstelle zurücksenden.

Schutzholster

Das Holster/der Neigefuß schützt das Messgerät gegen versehentlichen Fall und bietet höheren Bedienkomfort. Beiden Prüfspitzen können zur Aufbewahrung am Holster angebracht werden. Für Messungen kann eine Prüfspitze angebracht werden; das Messgerät mit Prüfspitze wird dann in einer Hand gehalten und die zweite Prüfspitze in der anderen Hand.

Überlastanzeige



Überlastanzeige: (Eingang übersteigt den höchsten Bereich des Messgeräts) und Anzeigüberlast (Eingang übersteigt den ausgewählten Bereich) werden beide durch eine 1 auf der linken Seite der LCD angezeigt. In den Volt- oder Ampere-Bereichen kann

Anzeigeüberlast durch Auswahl eines höheren Bereichs für die Anzeige der Eingangsmessung korrigiert werden. Wenn der höchste Bereich ausgewählt wird und die Überlastanzeige fortduert, handelt es sich um eine Eingangüberlast. Die Messleitungen unverzüglich von Stromkreis entfernen, wenn der Eingang die Nennkapazität des Messgeräts übersteigt.

Hinweis: In beiden Fällen ist die Überlastanzeige zur Anzeige eines offenen Stromkreises in den OHM- und Durchgangs-/Dioden-Bereichen normal. *Funktionsfehler* wird durch einen Dauerton signalisiert, wenn eine Messleitung in die 2 A Buchse eingeführt wird oder der Auswahlshalter nicht auf den korrekten Strombereich eingestellt ist. Wenn das Messgerät an eine Spannungsquelle angeschlossen wird und die Messleitungen für Strommessung angelegt sind, können sehr hohe Stromstärken auftreten. Alle Strombereiche sind mit flinken Sicherungen geschützt.

Schwache Batterie: Wenn die Anzeige für schwache Batterie angezeigt wird, reicht die Batterie für weniger als 50 Stunden Betrieb aus und die Genauigkeit des Messgeräts kann nicht mehr gewährleistet werden.

Messverfahren

Das Messgerät durch Drehen des Funktions-/Bereichsschalters in eine andere Position als OFF einschalten und den zu messenden Parameter auswählen. Wenn der ausgewählte Parameter mehr als eine Bereichsposition hat, zeigt die Anzeige den Bereich durch eine wechselnde Position des Dezimalpunkts an. Stets den höchsten Bereich auswählen, wenn der maximal mögliche Messwert unbekannt ist. Dann den Auswahlshalter nach unten drehen, um die beste Messwertauflösung zu erzielen.

1. Beim Anschließen von Messleitungen an einen Stromkreis oder beim Trennen davon stets die Stromversorgung zum zu prüfenden Gerät oder Stromkreis ausschalten und alle Kondensatoren entladen.
2. Die maximalen Eingangsgrenzwerte genau beachten.
3. Die Funktion nicht wechseln, wenn Messleitungen an Stromkreisen angeschlossen sind.

Gleichspannungs- und Wechselspannungsmessung (siehe Abbildung 1)

1. Die Messleitungen gemäß Abbildung 1 an das Messgerät anschließen.
2. Den Funktionsauswahlschalter auf V und den gewünschten Bereich drehen.
3. Die AC/DC-Menütaste drücken, um entweder AC (Wechselspannung) oder DC (Gleichspannung) einzublenden.
4. Die Prüfspitzen über der Spannungsquelle anlegen (parallel zu Stromkreis).
5. Der Spannungswert erscheint auf den Digitalanzeige zusammen mit der Spannungspolarität (für Gleichspannung).

Gleichstrom- und Wechselstrommessung (siehe Abbildung 2)

1. Die rote Messleitung am A-Eingang für Stromstärkemessungen bis 2 A anschließen. Die schwarze Messleitung am COM-Eingangsanschluss anschließen.
2. Den Funktionsschalter auf den gewünschten Strombereich einstellen.
3. Die AC/DC-Menütaste drücken, um entweder AC (Wechselspannung) oder DC (Gleichspannung) einzublenden.
4. Den Stromkreis öffnen, dessen Stromstärke gemessen werden soll (Spannung zwischen diesem Punkt und Erde darf 1000 V Wechselspannung/1500 V Gleichspannung nicht übersteigen). Messleitungen gesichert in Serie mit der Last anschließen.
5. Die Stromversorgung zum zu prüfenden Schaltkreis einschalten.
6. Auf der Digitalanzeige den Stromstärkewert ablesen.

Warnung „inkorrektter Eingang“: Es wird ein Tonsignal ausgegeben, wenn eine Messleitung an eine Ampere-Buchse angeschlossen ist und der Auswahlschalter nicht auf den korrekten Strombereich eingestellt ist. Die Bereiche 200 μ A bis 2 A erfordern, dass die Messleitung an die A-Buchse angelegt ist.

Widerstandsmessung (siehe Abbildung 3)

1. Jeglichen Strom zum zu messenden Widerstand ausschalten und alle Kondensatoren entladen. Jegliche während einer Widerstandsmessung vorhandene Spannung verursacht ungenaue Messwerte.
2. Die Messleitungen gemäß Abbildung 3 an das Messgerät anschließen.
3. Den Funktions-/Bereichsschalter auf den gewünschten Widerstandsbereich einstellen.
4. Die Messleitungen an den zu messenden Stromkreis anschließen.
5. Auf der Digitalanzeige den Widerstandswert ablesen. Offene Stromkreise werden als „1“ angezeigt.

Diodentest und Durchgangsprüfung (siehe Abbildung 4)

Der Diodentest misst den Spannungsabfall über einen Diodenübergang.

1. Die Messleitungen gemäß Abbildung 4 anschließen.
2. Den Funktions-/Bereichsschalter auf $\rightarrow \text{|||}$ einstellen.
3. Die Prüfspitze der roten Messleitung an die Anode und die schwarze Messleitung an die Kathode der Diode anlegen.
4. Die Anzeige des Messgeräts zeigt einen Vorwärtsspannungsabfall an (ungefähr 0,6 V für Silikondioden bzw. 0,4 V für Germaniumdioden). Eine offene Diode wird als „1“ angezeigt.
5. Die Messleitungsverbindungen zur Diode umkehren, um einen Diodentest in Sperrrichtung durchzuführen. „1“ zeigt eine gute Diode an.

Hinweise: „1“ für beide Tests, in Sperrrichtung und Vorwärtsrichtung, zeigt eine offene Diode an. Ein Niederspannungsmesswert für beide Tests zeigt eine kurzgeschlossene Diode an. Wenn die Diode durch einen Widerstand von 1000 Ω oder weniger parallelgeschaltet ist, muss sie vor der Messung vom Stromkreis entfernt werden. Bipolartransistorübergänge können auf die gleiche Weise (wie oben beschrieben) als Emitter-Basis- und Basis-Kollektor-Übergänge getestet werden.

Beim Messen von Durchgang (auch für kurzgeschlossene Dioden) gibt das Messgerät einen Dauerton aus, wenn der Widerstandswert unter 50 Ω abfällt.

AC/DC-Taste



Die Wechselstrom/Gleichstrom-Taste funktioniert in Verbindung mit dem Auswahlschalter zum Umschalten des gewünschten Typs von Eingang für die Volt- und Ampere-Bereiche. Jedes Drücken der Taste ändert den Typ von Eingang, und auf der Anzeige wird AC oder DC angezeigt.

Hold-Taste



Der Datenhaltemodus friert den derzeit auf der LCD vorhandenen Messwert zum Zeitpunkt des Tastendrucks ein. Um diese Menüfunktion zu verwenden, das Messgerät für den gewünschten Typ von Messung und den gewünschten Bereich einrichten. Die Messleitungen an den zu messenden Stromkreis bzw. Die zu messende Komponente anschließen und dann die Taste HOLD drücken. Der LCD-Messwert wird eingefroren und HOLD wird eingeblendet. Die Messleitungen können jetzt entfernt werden und der Messwert verändert sich nicht, bis HOLD erneut gedrückt wird.

Automatische Ausschaltung

Um Batteriestrom zu sparen, schaltet sich das Multimeter nach ungefähr 30 Minuten Inaktivität automatisch aus. Das Gerät kann durch Drehen des Funktionsauswahlschalters auf OFF und dann auf eine Messfunktion wieder eingeschaltet werden.

Warnung „inkorrektter Eingang“

Das Messgerät gibt einen Dauerton aus und zeigt R an, wenn eine Messleitung in eine 2 A Eingangsbuchse eingesteckt ist und der Auswahlschalter nicht in die korrekte Stromposition geschaltet ist. Wenn das Multimeter an eine Spannungsquelle angeschlossen wird und die Messleitungen für Strommessung angelegt sind, können sehr hohe Stromstärken auftreten. Alle Strombereiche sind mit flinken Sicherungen geschützt.

Sicherheitsmessleitungen

Die mit dem Messgerät gelieferten Messleitungen verfügen über Sicherheitsbananenstecker zur Vermeidung von Stromschlag, falls die Stecker während einer Messung versehentlich aus dem Messgerät entfernt werden. Ersatzteilenummer für Sicherheitsmessleitungen: TL1500.

Optionales Zubehör

CT235A	1000 A AC/DC Klemme	FP700	2 A/1500 V Sicherung
CT237A	200 A AC/DC Stromzange	HV231-10A	Hochspannungsprüfspitze
CT238A	20 A AC/DC Stromzange	TC253B	Temperaturwandler (900 °C/1652 °F)
DC205C	Deluxe Hartschalenkoffer	TL1500	Standard-Ersatzmessleitungen mit Gewinde-Krokodilklemmen, CAT IV
DC207C	Großer Deluxe Hartschalenkoffer mit Platz für Zubehör	VC221B	Gepolstertes Vinyletui


Spezifikationen

Allgemeine Spezifikationen

Anzeige: 3-1/2 Stellen LCD, 1999 Zählwerte, mit Anzeigern und Menüfunktionen

Polaritätsanzeige: Automatisch

Eingangüberlastanzeige: 1

Anzeige für schwache Batterie:  Anzeige < 50 Stunden Batteriebetrieb verbleiben, Genauigkeit nicht länger gewährleistet

Anzeigeaktualisierungsrate: 2,5/s, nominal

Betriebstemp. (< 75 % RH): 0 °C bis +50 °C

Lagertemperatur: - 20 °C bis 60 °C, 0 bis 80 % RH, Batterie entfernt

Temperaturkoeffizient: 0,1 x (spez. Genauigkeit)/ °C (0 ° bis 18 °C und 28° bis 50 °C) alle Funktionen und Strecken außer mVDC

Temperaturkoeffizient: 0,3 x (spez. Genauigkeit)/ °C (0 ° bis 18 °C und 28° bis 50 °C) für mVDC

Umgebung: Gebrauch nur in Gebäuden.

Höhenlage: Bis 2000 m.

Stromversorgung: Standard-9-V-Batterie, NEDA 1604, JIS 006P, IEC 6F22

Automatische Ausschaltung: Messgerät schaltet sich nach ungefähr 30 Minuten Inaktivität automatisch aus.

Batterielebensdauer: 250 Stunden typisch mit Kohlezink-Batterie, 500 Stunden typisch mit Alkalibatterie

Abmessungen, mit Holster (H x B x L): 200 x 102 x 59 mm

Gewicht (inkl. Batterie): 642 g

Zubehör: Messleitungen, Batterie (im Messgerät), Sechskantschlüssel im Holster, Magne-Grip-Aufhänger und Bedienungshandbuch

Gehäusematerial: Flammenhemmendes, hochfestes Thermoplast

Sicherheit: Erfüllt EN 61010-1 Cat IV - 1500 V DC und 1000 V AC eff. Klasse II EN60529:IP67

EMV: Erfüllt EN 61326-1

CE Dieses Produkt erfüllt die Anforderungen der folgenden EU-Richtlinien: 89/ 336/ EEC (Elektromagnetische Verträglichkeit) und 73/ 23/ EEC (Niederspannung) mit dem Zusatz 93/ 68/ EEC (CE-Kennzeichnung).

Doch elektrisches Rauschen oder intensive elektromagnetische Felder in der Nähe des Geräts können den Messschaltkreis stören. Messgeräte reagieren auch auf unerwünschte Impulse/Signale, die unter Umständen im Messschaltkreis vorkommen. Die Benutzer müssen die nötige Sorgfalt walten lassen und geeignete Vorkehrungen treffen, um irreführende Ergebnisse bei Messungen bei Vorhandensein elektrischer Störeinflüsse zu vermeiden.

Elektrische Spezifikationen

Genauigkeit bei 23 °C ± 5 °C, < 75 % relative Luftfeuchtigkeit, nicht kondensierend, gewährleistet für 1 Jahr.

V Gleichspannung

Bereiche: 200 mV, 2 V, 20 V, 200 V, 1500 V

Auflösung: 0,1 mV

Genauigkeit: Alle Bereiche, ± (0,1 % MW +2 Stellen)

Eingangsimpedanz: 10 MΩ

Überlastschutz: 1500 V DC/1000 V AC eff.

Überspannungsschutz: 12 kV Impuls (1,2 μs/50 μs) gemäß

EN 61010-1:2001 Impulsanforderung für CAT IV 1000 V Produkt. Dieses Produkt sollte nicht in Installationen verwendet werden, in denen Überspannungen 12 kV übersteigen.

AC Volt (45 Hz bis 2 kHz)

Bereiche: 200 mV, 2 V, 20 V, 200 V, 1000 V

Auflösung: 0,1 mV

Genauigkeit: 200 mV bis 200 V (45-500 Hz): \pm (0,8 % MW +4 Stellen) 1000 V (50-60 Hz): \pm (0,8 % MW +4 Stellen); 200 mV bis 200 V (500 Hz-2 kHz): \pm (1,5 % MW +5 Stellen) 1000 V (60-500 Hz): \pm (1,5 % MW +5 Stellen)

Eingangsimpedanz: 10 M Ω

Überlastschutz: 1500 V DC/1000 V AC eff.

Überspannungsschutz: 12 kV Impuls (1,2 μ S/50 μ S) gemäß

EN 61010-1:2001 Impulsanforderung für CAT IV 1000 V Produkt. Dieses Produkt sollte nicht in Installationen verwendet werden, in denen Überspannungen 12 kV übersteigen.

Gleichstrom

Bereiche: 200 μ A, 2 mA, 20 mA, 200 mA, 2 A

Auflösung: 0,1 μ A

Genauigkeit: 200 μ A bis 20 mA: \pm (0,5 % MW +2 Stellen), 200 mA bis 2 A: \pm (1,0 % MW +2 Stellen)

Spannungsbürde: 250 mV max.
(1 mV/1 μ A auf 200 μ A Bereich),
(100 mV/1 mA auf 2 mA Bereich),
(10 mV/1 mA auf 20 mA Bereich),
(1,5 mV/1 mA auf 200 mA Bereich),
(500 mV/1 A auf 2 A Bereich)

Überlastschutz: A Eingang (F 2 A/1500 V, Größe 8 x 65 mm IR flinke Keramiksicherung)

AC-Stromstärke (45 Hz bis 1 kHz)

Bereiche: 200 μ A, 2 mA, 20 mA, 200 mA, 2 A

Auflösung: 0,1 μ A

Genauigkeit: 200 μ A bis 20 mA: \pm (0,8 % MW +4 Stellen), 200 mA bis 2 A: \pm (1,2 % MW +4 Stellen)

Spannungsbürde: 250 mV max. (1 V auf 2 A Bereich)

Überlastschutz: Gleich wie DC-Strom.

Widerstand

Bereiche: 200 Ω , 2 k Ω , 20 k Ω , 200 k Ω , 2 M Ω , 20 M Ω

Auflösung: 0,1 Ω

Genauigkeit, 200 Ω \pm (0,5 % MW +4 Stellen), 2 k Ω bis 200 k Ω \pm (0,3 % MW +2 Stellen), 2 M Ω \pm (1,0 % MW +4 Stellen), 20 M Ω \pm (2,0 % MW +4 Stellen)

Überlastschutz: 1500 V DC/1000 V AC eff.

Leerlaufspannung, 200 Ω Bereich: 3,0 V DC typisch; alle übrigen Bereiche 0,3 V DC typisch.

Diodentest/Durchgangsprüfung

Test/Prüfstrom: 1 mA DC typisch

Test/Leerlaufspannung: 3,0 V DC typisch

Dioden Genauigkeit: \pm (1,5 % MW +2 Stellen)

Überlastschutz: 1500 V DC/1000 V AC eff.

Durchgangsprüfung Akustische Schwelle: < 50 Ω \pm 25 Ω

Ansprechzeit: < 100 ms

Wartung und Reparatur

Wenn ein Fehlverhalten während des Betriebs des Messgeräts vermutet wird, sollten die folgenden Schritte durchgeführt werden, um die Ursache des Problems genau zu bestimmen:

1. Die Batterien prüfen.
2. Die Bedienungsanleitungen studieren, um mögliche Fehler bei der Bedienung zu erkennen.
3. Die Prüfspitzen auf unterbrochene oder intermittierend aussetzende Verbindung untersuchen und testen.
4. Die Sicherung untersuchen und testen. Siehe „Wechseln der Sicherung“.

Reparaturen am Multimeter müssen ausschließlich durch werkseitig autorisiertes Servicepersonal oder Messgerät-Fachpersonal durchgeführt werden, davon ausgenommen sind lediglich das Wechseln von Batterien und Sicherungen. Die Vorderseite und das Gehäuse können mit einer milden Lösung von Reinigungsmittel und Wasser gereinigt werden. Die Lösung spärlich mit einem weichen Tuch anwenden und das Gerät vor Gebrauch vollständig trocknen lassen. Keine aromatischen Kohlenwasserstoffe oder Chlorlösungsmittel zur Reinigung verwenden.

Wechseln von Batterie und Sicherung (siehe Abbildung 5)



Zur Vermeidung von Stromschlag bzw. Messgerätbeschädigung die Messleitungen des Messgeräts von allen Stromkreisen und dem Messgerät trennen und dann vor Abnehmen der hinteren Gehäuseabdeckung das Messgerät ausschalten.

Sicherheitshinweise

- Alle Sechskant-Gehäuseschrauben sind zur Gewährleistung der Staub-/Wasserbeständigkeit des Messgeräts mit Scheiben und Dichtungen ausgestattet. Beim Öffnen darauf achten, dass diese Scheiben und Dichtungen bewahrt bleiben und beim Schließen wieder eingesetzt werden.
- Herausdrücken der hinteren Gehäuseabdeckung mit einem Messer oder Schraubendreher wird nicht empfohlen, da dies den Gehäuserand und/oder die Dichtung beschädigen und die Staub-/Wasserbeständigkeit des Messgeräts beeinträchtigen kann.
- Die Sicherungsabdeckung ist eine Komponente der EN61010-1 Cat IV Sicherheit und muss wieder angebracht werden, um mögliche Stromschlaggefahr zu vermeiden.
- Das Wechseln von Batterien oder Sicherungen muss in einer sauberen Umgebung und mit angemessenen Vorkehrungen zur Vermeidung von Verunreinigung der inneren Komponenten des Messgeräts erfolgen.
- Das Gerät enthält keine kundenseitig zu wartenden Teile oder Komponenten auf den Platinen. Zerlegung über das unten in der Anleitung zum Wechseln von Batterien oder Sicherungen beschriebene Maß hinaus macht alle Gewährleistungen nichtig.

ÖFFNEN: Die Messleitungen abnehmen, das Messgerät ausschalten und das Holster entfernen. Die sechs Sechskantschrauben an der Vorderseite mit dem im Holster angebrachten 2-mm-Sechskantschlüssel entfernen. Die hintere Gehäuseabdeckung sorgfältig entfernen und das Messgerät mit der Vorderseite nach unten auf eine saubere gepolsterte Fläche stellen.

WECHSELN DER BATTERIE: Die Messleitungen abnehmen, das Messgerät ausschalten und das Holster entfernen. Die vier Sechskant-Batterieabdeckungsschrauben an der hinteren Gehäuseabdeckung gemäß Abbildung 5 mit dem im Holster angebrachten 2-mm-Sechskantschlüssel abschrauben. Die Batterie durch eine NEDA Typ 1604 oder eine gleichwertige 9 V Alkalibatterie ersetzen. Sicherstellen, dass die Batteriefachdichtung in gutem Zustand und ordnungsgemäß ausgerichtet ist, bevor die Abdeckung und die Schrauben wieder angebracht werden.

WECHSELN DER SICHERUNG: Das Gehäuse öffnen: dazu die Messleitungen abnehmen, das Messgerät ausschalten und das Holster entfernen. Die sechs Sechskantschrauben an der Vorderseite mit dem im Holster angebrachten 2-mm-Sechskantschlüssel entfernen. Die hintere Gehäuseabdeckung sorgfältig entfernen und das Messgerät mit der Vorderseite nach unten auf eine saubere gepolsterte Fläche stellen. Die Sicherungen befinden sich unter einer Schutzabdeckung. Die Abdeckung anheben und die Sicherung mit leichtem Druck von unten behutsam herausdrücken. Zum Herausdrücken der großen Sicherung einen

kleinen, flachen Schraubendreher unterhalb der Endkappe der Sicherung ansetzen. NIEMALS die Dichtung als Hebelpunkt verwenden, da diese dadurch permanent beschädigt werden könnte.

Warnung

Nur Sicherungen der spezifizierten Größe und des spezifizierten Typs verwenden. Die Verwendung von Sicherungen mit höherem Ampere-Nennwert oder niedrigerem Spannungsnennwert oder eines anderen Typs kann zu Stromschlag, Verletzung und/oder Beschädigung des Messgeräts führen. Ersatzsicherung: 2 A/1500 V flinke Keramiksicherung 8 x 65 mm (kein). Amprobe® Teilenummer: FP700.

SCHLIESSEN: Die Sicherungsabdeckung wieder anbringen, dann die hintere Gehäuseabdeckung aufsetzen und darauf achten, dass die Häuserandichtung nicht verbogen oder eingeklemmt wird. Die sechs Sechskantschrauben mit je einer Dichtung und Scheibe installieren und bei allen Schrauben mit gleicher Drehkraft festziehen. NICHT übermäßig anziehen, da dadurch das Gehäusegewinde abgerissen werden könnte. Das Messgerät einschalten und prüfen, ob es funktionsfähig ist. Falls es funktioniert, das Holster wieder anbringen.

Reparatur

Zu allen Geräten, die zur Reparatur oder Kalibrierung im Rahmen der Garantie oder außerhalb der Garantie eingeschickt werden, muss folgendes beigelegt werden: Name des Kunden, Firmenname, Adresse, Telefonnummer und Kaufbeleg. Zusätzlich bitte eine kurze Beschreibung des Problems oder der gewünschten Wartung sowie die Messleitungen dem Messgerät beilegen. Die Gebühren für Reparaturen außerhalb der Garantie oder für den Ersatz von Instrumenten müssen als Scheck, Geldanweisung, Kreditkarte (Kreditkartennummer mit Ablaufdatum) beglichen werden oder es muss ein Auftrag an Amprobe Test Tools formuliert werden.

Garantiereparaturen oder -austausch - alle Länder

Bitte die nachfolgende Garantieerklärung lesen und die Batterie prüfen, bevor Reparaturen angefordert werden. Während der Garantieperiode können alle defekten Geräte zum Umtausch gegen dasselbe oder ein ähnliches Produkt an den Amprobe Test Tools-Distributor gesendet werden. Ein Verzeichnis der zuständigen Distributoren ist im Abschnitt „Where to Buy“ (Verkaufsstellen) auf der Website www.amprobe.com zu finden.

Darüber hinaus können in den USA und in Kanada

Geräte an ein Amprobe Test Tools Service-Center (Adresse siehe weiter unten) zur Reparatur oder zum Umtausch eingeschickt werden.

Reparatur oder Austausch - ausserhalb der Garantieperiode - USA und Kanada

Für Reparaturen außerhalb der Garantie in den Vereinigten Staaten und in Kanada werden die Geräte an ein Amprobe Test Tools Service-Center gesendet. Auskunft über die derzeit geltenden Reparatur- und Austauschgebühren erhalten Sie von Amprobe Test Tools oder der Verkaufsstelle.

In den USA:

Amprobe Test Tools
Everett, WA 98203
Tel: 877-AMPROBE (267-7623)

In Kanada:

Amprobe Test Tools
Mississauga, ON L4Z 1X9
Tel: 905-890-7600

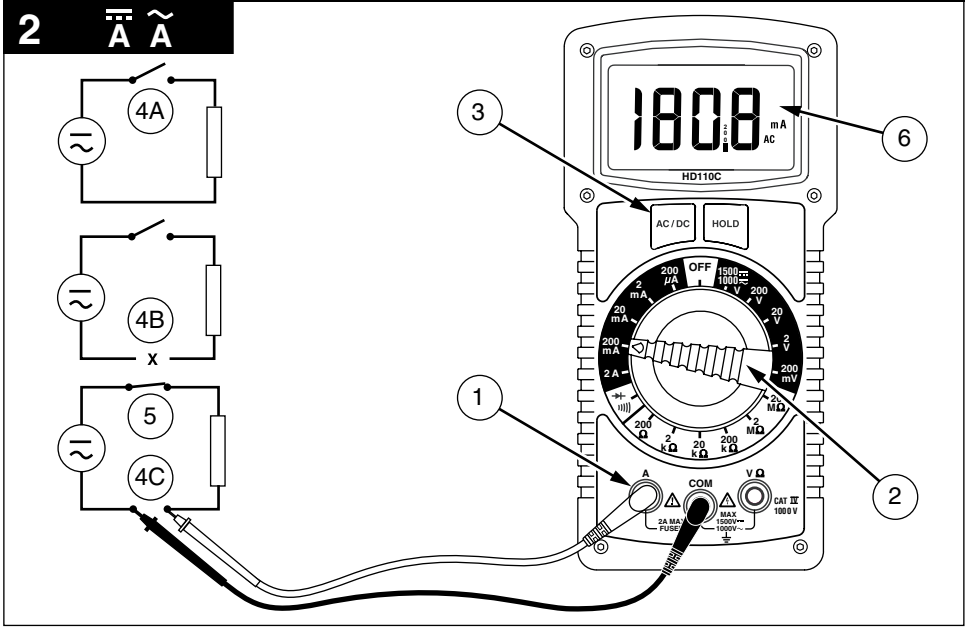
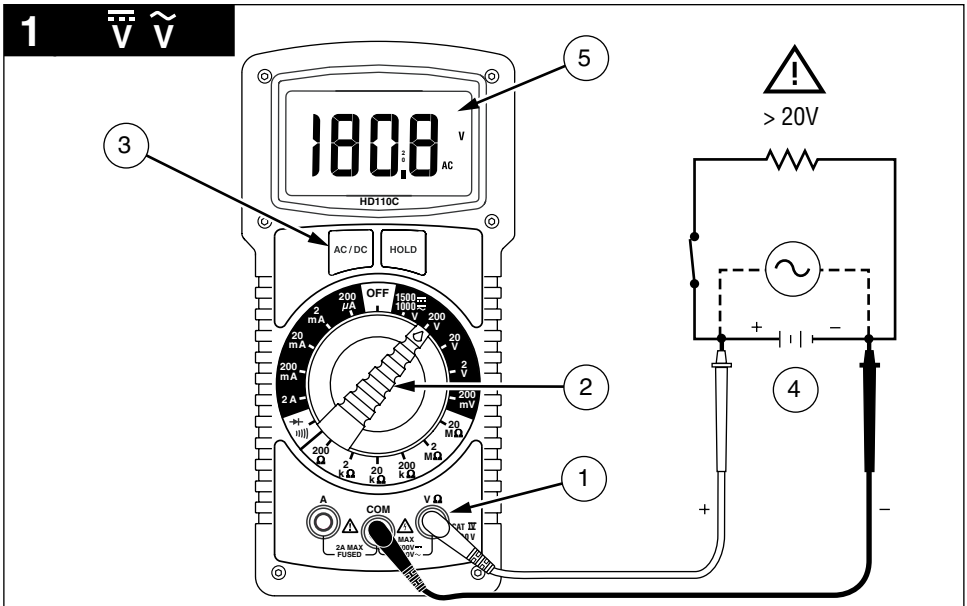
Reparaturen und Austausch außerhalb der Garantie - Europa

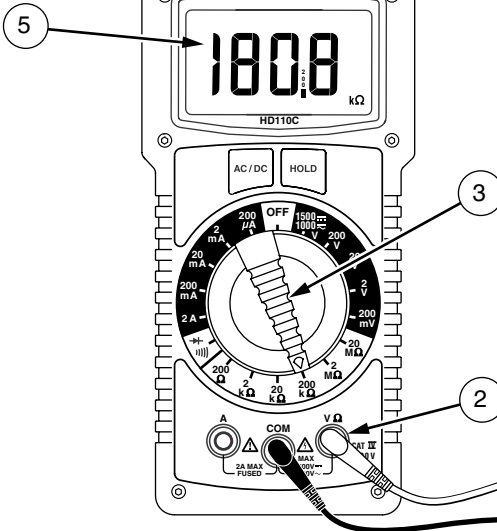
Geräte außerhalb der Garantie können durch den zuständigen Amprobe Test Tools-Distributor gegen eine Gebühr ersetzt werden. Ein Verzeichnis der zuständigen Distributoren ist im Abschnitt „Where to Buy“ (Verkaufsstellen) auf der Website www.amprobe.com zu finden.

Korrespondenzanschrift für Europa*

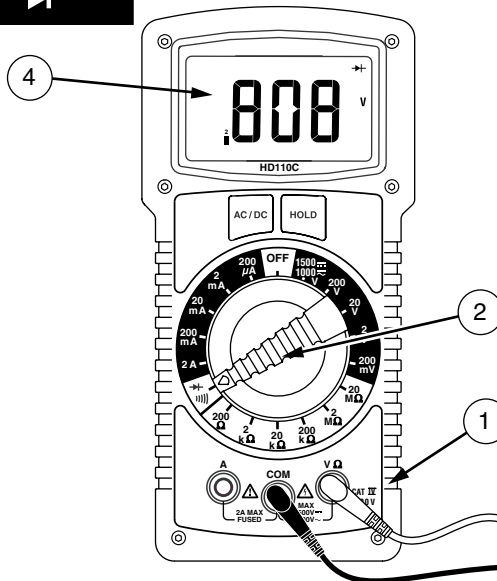
Amprobe Test Tools Europe
P. O. Box 1186
5602 BD Eindhoven
Niederlande

* (Nur Korrespondenz – keine Reparaturen, kein Umtausch unter dieser Anschrift. Kunden in Europa wenden sich an den zuständigen Distributor.)

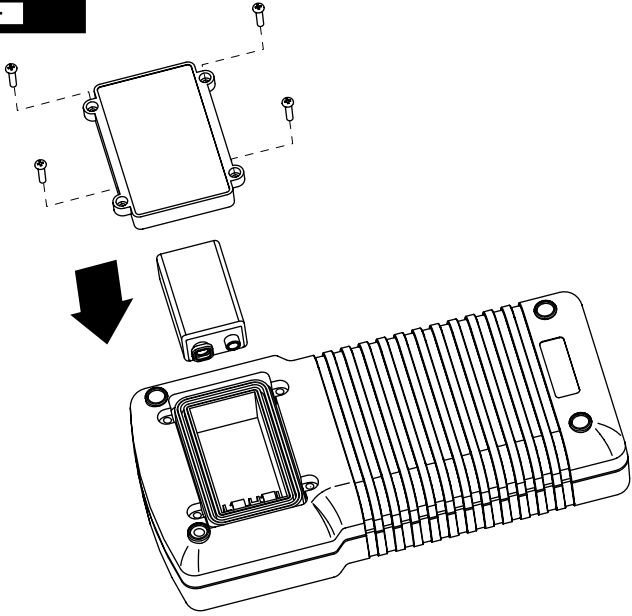


3**Ω****1**

- Discharge capacitors
- Décharger les condensateurs
- Scaricare i condensatori
- Kondensatorer entladen
- Descargue los condensadores
- Ladda ur kondensatorer

4**↔****1****3**

5





HD110C

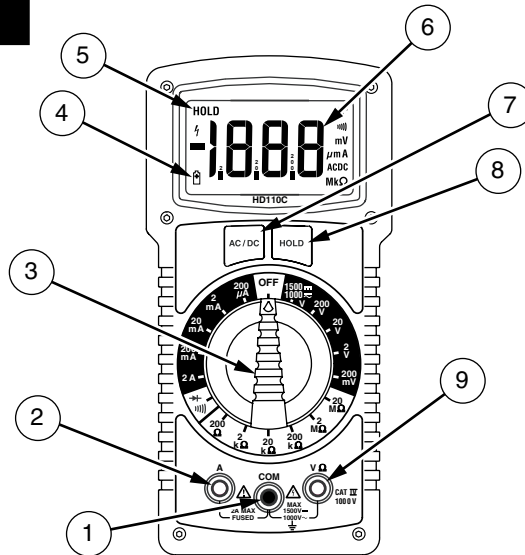
Heavy-Duty
Digital Multimeter

Manuale d'uso

Italiano

Caratteristiche del modello HD110C

HD110C










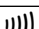
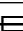




Numero	Descrizione
1	Ingresso COM – Ingresso comune o a basso livello per tutte le misure
2	Ingresso di corrente
3	Selettore funzione/portata
4	Indicatore di bassa carica della batteria
5	Indicatore HOLD
6	Display a cristalli liquidi a 3 ½ cifre con indicazione delle unità di misura
7	Pulsante AC/DC
8	Pulsante HOLD
9	Ingresso ad alto livello – misure di tensione e resistenza

HD110C Heavy-Duty Digital Multimeter

Indice

Simboli	2
Introduzione.....	2
Avvertenze e precauzioni	2
Dotazione dello strumento	3
Indicazione di sovraccarico	3
Procedure di misura	3
Misure di tensione in corrente continua e alternata (vedi Figura 1)	4
Misure corrente continua e alternata (vedi Figura 2).....	4
Misure di resistenza (vedi Figura 3)	4
Prova di diodi e di continuità (vedi Figura 4)	4
Pulsante AC/DC.....	5
Pulsante Hold	5
Autospegnimento	5
Segnalazione di ingresso errato.....	5
Cavi di misura di sicurezza.....	5
Accessori opzionali.....	5
Dati tecnici.....	6
Manutenzione e riparazioni.....	8
Sostituzione della batteria o del fusibile (vedi Figura 5).....	8
Riparazioni.....	9

Simboli

	Batteria		Consultare il manuale
	Isolamento doppio		Alta tensione
	Corrente continua		Messa a terra
	Corrente alternata		Segnalazione acustica
	Fusibile		Conforme alle direttive UE
	Conforme alle norme australiane di pertinenza		Canadian Standards Association [Nota: Canada e Stati Uniti.]
	Non smaltire questo prodotto assieme ad altri rifiuti solidi non differenziati. Rivolgersi alla Amprobe® o a una ditta di riciclaggio qualificata.		

Introduzione

Il modello HD110C è un multimetro digitale heavy-duty a valore efficace a 3 1/2 cifre, selezione manuale della portata, con accoppiamento c.a. che esegue misure di tensione, corrente e resistenza, prove di continuità e della giunzione di diodi. Il menu permette di selezionare la funzione di tenuta dati nonché di scegliere fra corrente e tensione in c.a. o c.c.

Avvertenze e precauzioni

Questo strumento ha conseguito la certificazione EN61010-1 per impianti Cat IV a tensioni di 1000 V c.a. o 1500 V c.c. e inferiori. In base ai requisiti EN61010-1 sui transistori, lo strumento non va adoperato in impianti in cui i transistori possano superare 12.000 volt (ossia un impulso di 1,2 $\mu\text{s}/50 \mu\text{s}$).

- Tutti gli ingressi sono protetti contro condizioni di sovraccarico continuo sino ai limiti dichiarati per ciascuna funzione (vedi sezione Dati tecnici). Non superare mai questi limiti né i valori nominali riportati sullo strumento.
- Procedere con estrema cautela quando si eseguono misure di tensione > 20 V, corrente > 10 mA, su linee di alimentazione in corrente alternata con carichi induttivi, su linee di alimentazione c.a. durante temporali. Le alte tensioni possono essere letali e transistori di alta tensione si possono verificare in qualsiasi momento.
- Durante le misure di corrente si possono verificare lesioni all'operatore o danni al multimetro se il fusibile interviene in un circuito con tensione di circuito aperto maggiore di 1000 V c.a. o 1500 V c.c.
- Ispezionare sempre il multimetro, i cavi di misura e gli accessori per rilevare eventuali danni o anomalie prima dell'uso. Se esiste una condizione anomala (cavi di misura spezzati o danneggiati, involucro incrinato, display non funzionante ecc.), non usare il multimetro. Il coperchio del fusibile interno è parte integrale del sistema di sicurezza a norma EN61010-1 Cat e deve essere nella giusta posizione per evitare il rischio di folgorazione.
- Se si devono eseguire misure di tensione o di corrente, verificare che le portate funzionino correttamente. Misurare prima una tensione o una corrente nota.
- Non collegare mai sé stessi al potenziale di terra quando si eseguono misure. Non toccare tubi metallici esposti, prese di corrente, dispositivi ecc. che potrebbero essere al potenziale di terra. Mantenere il corpo isolato dal potenziale di terra e non toccare mai cavi esposti, connessioni, puntali di sonde o conduttori di circuiti sotto tensione. Non utilizzare il dispositivo Flex-Strap per collegare il multimetro a sé stessi.

- Eseguire sempre misure di corrente inserendo il multimetro in serie al carico, MAI AI CAPI di un generatore di tensione. Controllare prima il fusibile.
- Non sostituire mai un fusibile con uno di portata diversa.
- Non usare lo strumento in un'atmosfera esplosiva (gas infiammabili, fumi, vapori, polvere).
- Non usare né questo strumento né alcun componente di una strumentazione di misura se non si è seguito un corso di addestramento adeguato.
- **AVVISO SULLA SICUREZZA DELLA MANUTENZIONE DEI TUBI A RAGGI CATODICI (CRT):** le misure di tensioni all'uscita del sistema di deflessione orizzontale e sugli stadi attenuatori di un apparecchio CRT comportano pericoli (transitori di alta tensione, maggiore di 8000 V). Consultare il manuale di manutenzione del CRT per le istruzioni appropriate.

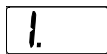
Dotazione dello strumento

La scatola di spedizione deve contenere il multimetro, un guscio con cinghietta Magne-Grip, un set di cavi di misura (uno bianco, uno nero), morsetti a cocodrillo filettati, una batteria da 9 V (installata), una chiave esagonale da 2 mm (all'interno del guscio) e il presente manuale. Se un componente è danneggiato o mancante, restituire immediatamente l'intera confezione al rivenditore per ottenerne una di ricambio.

Guscio

Il guscio/supporto inclinabile protegge il multimetro da cadute accidentali e ne agevola l'uso. Entrambe le sonde dei cavi di misura possono essere fissate al guscio quando devono essere riposte. Una sonda può essere fissata quando si deve eseguire la misura: si terrà con una mano il multimetro con una sonda, e l'altra sonda con l'altra mano.

Indicazione di sovraccarico



Indicazione di sovraccarico: entrambe le condizioni possibili (l'ingresso supera la massima portata del multimetro) e sovraccarico sul display (l'ingresso supera la portata selezionata) sono segnalate da un 1 visualizzato sul lato sinistro del display. Nelle

misure di tensione o corrente si può rimediare a un sovraccarico sul display selezionando una portata superiore per visualizzare la lettura dell'ingresso. Se si seleziona la massima portata e l'indicazione di sovraccarico persiste, significa che esiste un sovraccarico all'ingresso: scollegare immediatamente i cavi di misura dal circuito, dato che l'ingresso supera il valore massimo misurabile dal multimetro.

Nota: in entrambi i casi l'indicazione di sovraccarico è normale se si sta eseguendo una misura di resistenza o di prova di continuità/diodo, per indicare un circuito aperto. Un *errore di funzione* è segnalato dall'emissione di un segnale acustico continuo se si è collegato un cavo di misura al jack da 2 A e il selettore non è nella posizione corrispondente alla portata adatta. Se si collega il multimetro a un generatore di tensione ma i cavi di misura sono collegati come se si dovesse misurare una corrente, si potrebbe generare una corrente molto alta. Tutti i circuiti relativi alle misure di corrente sono protetti con fusibili a intervento rapido.

Bassa carica della batteria: quando si visualizza l'apposito indicatore, la batteria ha un'autonomia inferiore a 50 ore e la precisione del multimetro non può essere più garantita.

Procedure di misura

Accendere il multimetro girando il selettore di funzione/portata in una posizione diversa da OFF, scegliendo la grandezza che si vuole misurare; se per la grandezza selezionata sono disponibili più portate, il display indica la portata spostando opportunamente il punto decimale. Selezionare sempre la portata più alta se non si conosce il massimo valore possibile della lettura, quindi selezionare una portata più bassa per ottenere la lettura più precisa possibile.

1. Quando si collegano i cavi di misura a un circuito, o li si scollegano, scollegare sempre dall'alimentazione il dispositivo o circuito su cui si deve eseguire la misura e scaricare tutti i condensatori.
2. Osservare scrupolosamente i limiti massimi di ingresso.
3. Non selezionare un'altra funzione mentre i cavi di misura sono collegati al circuito.

Misure di tensione in corrente continua e alternata (vedi Figura 1)

1. Collegare i cavi di misura al multimetro come illustrato nella Figura 1.
2. Girare il selettore nella zona "V", sulla portata desiderata.
3. Premere il pulsante AC/DC per visualizzare l'indicatore di corrente alternata o continua.
4. Mettere i puntali ai capi del generatore di tensione (in parallelo al circuito).
5. Sul display compare la misura di tensione, insieme con la polarità (nel caso di corrente continua).

Misure corrente continua e alternata (vedi Figura 2)

1. Collegare il cavo di misura rosso all'ingresso A per misure di corrente sino a 2 A. Collegare il cavo di misura nero al connettore di ingresso COM.
2. Girare il selettore nella posizione della portata di corrente desiderata.
3. Premere il pulsante AC/DC per visualizzare l'indicatore di corrente alternata o continua.
4. Aprire il circuito la cui corrente si deve misurare (la tensione tra questo punto e massa non deve superare 1000 V c.a. o 1500 V c.c.). Collegare i cavi di misura in serie al carico.
5. Mettere sotto tensione il circuito su cui si deve eseguire la misura.
6. Leggere il valore della corrente sul display.

Segnalazione di ingresso errato: se si collega un cavo di misura al jack per misure di correnti ma il selettore non è nella posizione corrispondente alla portata di corrente adatta, viene emesso un segnale acustico. Per portate comprese tra 200 μ A e 2 A, il cavo di misura deve essere collegato al jack A.

Misure di resistenza (vedi Figura 3)

1. Scollegare l'alimentazione dalla resistenza da misurare e scaricare tutti i condensatori; qualsiasi tensione presente durante una misura di resistenza causa letture imprecise.
2. Collegare i cavi di misura al multimetro come illustrato nella Figura 3.
3. Girare il selettore nella posizione della portata di resistenza desiderata.
4. Collegare i cavi di misura al circuito su cui si deve eseguire la misura.
5. Leggere il valore della corrente sul display. Un circuito aperto viene indicato da un "1".

Prova di diodi e di continuità (vedi Figura 4)

La prova di un diodo consiste nel misurare la caduta di tensione sulla giunzione del diodo.

1. Collegare i cavi di misura come illustrato nella Figura 4.
2. Girare il selettore nella posizione $\rightarrow \text{di}$.
3. Mettere il puntale del cavo rosso a contatto dell'anodo e il puntale del cavo nero a contatto del catodo del diodo.
4. Il display indica la caduta di tensione diretta (circa 0,6 V per diodi al silicio o 0,4 V per diodi al germanio). Un diodo aperto è indicato da un "1".
5. Invertire le connessioni dei cavi di misura con il diodo per eseguire una verifica della polarizzazione inversa; un "1" indica che il diodo è in buone condizioni.

Note: un "1" sia per la prova di polarizzazione diretta che inversa indica un diodo aperto, mentre una bassa lettura di tensione in entrambi i casi indica un diodo in cortocircuito. Se al diodo è collegato un resistore di shunt con resistenza minore o uguale a 1000 Ω , occorre rimuovere il resistore dal circuito prima di eseguire la misura. Le giunzioni di transistori bipolari possono essere provate nello stesso modo, in quanto le giunzioni emettitore-base e base-collettore sono entrambe giunzioni di diodo.

Quando si misura la continuità (anche di diodi in cortocircuito), il multimetro emette un segnale acustico continuo anche se la resistenza è minore di 50 Ω .

Pulsante AC/DC



Questo pulsante va adoperato insieme con il selettore per scegliere il tipo di ingresso desiderato per le misure di tensione e corrente; ogni volta che si preme il pulsante si seleziona alternativamente corrente alternata (AC) o continua (CC) e sul display compare l'indicazione corrispondente.

Pulsante Hold



Con questo pulsante si fermano le letture sul display al valore visualizzato quando si preme il pulsante. Per usare questa funzione, impostare il multimetro per il tipo di misura e la portata desiderati; collegare i cavi di misura al circuito/componente su cui eseguire la misura e quindi premere il pulsante: la lettura si ferma e compare "HOLD". A questo punto si possono scollegare i cavi di misura e la lettura non cambia finché non si preme di nuovo il pulsante.

Autospegnimento

Per ridurre il consumo della batteria, il multimetro si spegne automaticamente dopo circa 30 minuti di inattività; per riaccenderlo basta girare il selettore su OFF e poi su una qualsiasi funzione di misura.

Segnalazione di ingresso errato

Il multimetro emette un segnale acustico continuo e visualizza ∞ se si collega un cavo di misura al jack di ingresso 2 A e il selettore di portata non si trova sulla posizione corrispondente alla portata adatta. Se si collega il multimetro a un generatore di tensione ma i cavi di misura sono collegati come se si dovesse misurare una corrente, si potrebbe generare una corrente molto alta. Tutti i circuiti relativi alle portate di corrente sono protetti con fusibili a intervento rapido.

Cavi di misura di sicurezza

I cavi di misura acclusi al multimetro hanno spine a banana, per eliminare il rischio di folgorazione se una spina si scollega accidentalmente dal multimetro mentre si esegue una misura. Il codice ricambio per i cavi di misura di sicurezza è TL1500.

Accessori opzionali

CT235A	Pinza amperometrica da 1000 A c.a./c.c.	FP700	Fusibile da 2 A e 1500 V
CT237A	Pinza amperometrica da 200 A c.a./c.c.	HV231-10A	Sonda per alte tensioni
CT238A	Pinza amperometrica da 20 A c.a./c.c.	TC253B	Convertitore di temperatura (900 °C)
DC205C	Custodia da trasporto rigida di lusso	TL1500	Cavi di misura di ricambio standard con morsetti a coccodrillo filettati, CAT IV
DC207C	Custodia da trasporto rigida di lusso grande, con spazio anche per gli accessori	VC221B	Custodia da trasporto in vinile imbottita


Dati tecnici

Dati tecnici generali

Display: a cristalli liquidi, 3 1/2 cifre, 1999 conteggi, con indicazioni visive e segnalazioni acustiche.

Indicazione della polarità: automatica.

Indicazione di sovraccarico ingresso: 1.

Indicazione di bassa carica della batteria:  indica che l'autonomia è < 50 ore e la precisione non è più garantita.

Velocità di aggiornamento del display: 2,5 misure al secondo (nominale).

Temp. di funzionamento (umidità relativa < 75%): da 0 °C a +50 °C.

Temp. di immagazzinamento: da -20 °C a 60 °C, da 0 a 80% di umidità relativa con la batteria rimossa.

Coefficiente di temperatura: 0,1 x (precisione spec.)/°C (da 0 °C a 18 °C e da 28 °C a 50 °C) tutte le funzioni e gamme tranne mVDC.

Coefficiente di temperatura: 0,3 x (precisione spec.)/°C (da 0 °C a 18 °C e da 28 °C a 50 °C) per mVDC.

Ambiente: solo per l'uso al coperto.

Altitudine: fino a 2000 m.

Alimentazione: una batteria da 9 V standard, NEDA 1604, JIS 006P, IEC 6F22.

Autospegnimento: il multimetro si spegne dopo circa 30 min. di inattività.

Autonomia della batteria: 250 ore tipica con batteria al carbonio-zinco, 500 ore tipica con batteria alcalina.

Dimensioni con il guscio (A x L x P): 200 x 102 x 59 mm.

Peso (con la batteria): 642 g.

Accessori: cavi di misura, batteria (nello strumento), chiave esagonale nel guscio, cinghietta flessibile Magne-Grip e manuale d'uso.

Materiale dell'involucro: termoplastica ignifuga e antiurto.

Sicurezza: a norma EN 61010-1 Cat IV - 1500 V c.c. e 1000 V c.a. efficaci, Classe II. EN60529:IP67

Compatibilità elettromagnetica: a norma EN 61326-1.



Questo prodotto risponde ai requisiti delle seguenti direttive della Comunità Europea: 89/336/CEE (compatibilità elettromagnetica) e 73/23/CEE (basse tensioni) modificate dalla direttiva 93/68/CEE (marchio CE).

Tuttavia, rumore elettrico o campi elettromagnetici intensi vicino all'apparecchiatura possono disturbare il circuito di misura. Inoltre gli strumenti di misura risponderanno a segnali indesiderati che possono essere presenti nel circuito di misura. Esercitare cautela e prendere le opportune precauzioni per evitare risultati falsi quando si eseguono misure in presenza di interferenze elettroniche.

Dati elettrici

Precisione a 23 °C ± 5 °C, < 75% di umidità relativa senza condensazione, garantita per un anno.

Misure di tensione in c.c.

Portate: 200 mV, 2 V, 20 V, 200 V, 1500 V.

Risoluzione: 0,1 mV.

Precisione: a tutte le portate, ± (0,1% della lettura + 2 cifre).

Impedenza d'ingresso: 10 MΩ.

Protezione da sovraccarichi: 1500 V c.c. o 1000 V c.a. efficaci.

Protezione dai transitori: impulso di 12 kV (1,2 μs/50 μs) a norma EN 61010-1:2001 requisito sull'impulso per uno strumento CAT IV da 1000 V. Questo strumento non deve essere utilizzato in impianti in cui la tensione dei transitori possa superare 12 kV.

Misure di tensione in c.a. (da 45 Hz a 2 kHz)

Portate: 200 mV, 2 V, 20 V, 200 V, 1000 V.

Risoluzione: 0,1 mV.

Precisione: da 200 mV a 200 V (45-500 Hz): \pm (0,8% della lettura +4 cifre) ; 1000 V (50-60 Hz): \pm (0,8% della lettura +4 cifre); da 200 mV a 200 V (500 Hz-2 kHz): \pm (1,5% della lettura +5 cifre) 1000 V (60-500 Hz): \pm (1,5% della lettura +5 cifre)

Impedenza d'ingresso: 10 M Ω .

Protezione da sovraccarichi: 1500 V c.c. o 1000 V c.a. efficaci.

Protezione dai transitori: impulso di 12 kV (1,2 μ s/50 μ s) a norma EN 61010-1:2001 requisito sull'impulso per uno strumento CAT IV da 1000 V. Questo strumento non deve essere utilizzato in impianti in cui la tensione dei transitori possa superare 12 kV.

Misure di corrente continua

Portate: 200 μ A, 2 mA, 20 mA, 200 mA, 2 A.

Risoluzione: 0,1 μ A.

Precisione: da 200 μ A a 20 mA: \pm (0,5% della lettura+2 cifre); da 200 mA a 2 A: \pm (1,0% della lettura +2 cifre).

Tensione di shunt: 250 mV max (1 mV/1 μ A nella portata di 200 μ A) (100 mV/1 mA nella portata di 2 mA), (10 mV/1 mA nella portata di 20 mA), (1,5 mV/1 mA nella portata di 200 mA), (500 mV/1 A nella portata di 2 A).

Protezione da sovraccarichi: ingresso A (fusibile ceramico a intervento rapido da 2 A/1500 V, 8 x 65 mm IR)

Misure di corrente alternata (da 45 Hz a 1 kHz)

Portate: 200 μ A, 2 mA, 20 mA, 200 mA, 2 A.

Risoluzione: 0,1 μ A.

Precisione: da 200 μ A a 20 mA: \pm (0,8% della lettura+4 cifre); da 200 mA a 2 A: \pm (1,2% della lettura +4 cifre).

Tensione di shunt: 250 mV max (1 V nella portata di 2 A).

Protezione da sovraccarichi: identica a quella per corrente continua.

Misure di resistenza

Portate: 200 Ω , 2 k Ω , 20 k Ω , 200 k Ω , 2 M Ω , 20 M Ω .

Risoluzione: 0,1 Ω .

Diodi Precisione: 200 Ω \pm (0,5% della lettura +4 cifre); da 2 k Ω a 200 k Ω \pm (0,3% della lettura +2 cifre); 2 M Ω \pm (1,0% della lettura +4 cifre); 20 M Ω \pm (2,0% della lettura +4 cifre).

Protezione da sovraccarichi: 1500 V c.c. o 1000 V c.a. efficaci.

Tensione di circuito aperto, portata di 200 Ω : 3,0 V c.c. tipica; a tutte le altre portate: 0,3 V c.c. tipica.

Prova di diodi/continuità

Corrente di misura: 1m A c.c. tipica.

Tensione di misura/circuito aperto: 3,0 V c.c. tipica.

Diodi Precisione: \pm (1,5% della lettura +2 cifre).

Protezione da sovraccarichi: 1500 V c.c. o 1000 V c.a. efficaci.

Continuità Soglia udibile: < 50 Ω \pm 25 Ω .

Tempo di risposta: < 100 ms.

Manutenzione e riparazioni

Se sembra che il multimetro non funzioni bene, procedere come segue per individuare la causa del problema:

1. Controllare la batteria.
2. Rileggere le istruzioni per l'uso, per accertarsi di non avere compiuto operazioni sbagliate.
3. Ispezionare e verificare le sonde per rilevare eventuali connessioni interrotte o intermittenti.
4. Ispezionare e provare il fusibile. Vedi sezione Sostituzione della batteria o del fusibile

Tranne che per la sostituzione della batteria o del fusibile, ogni intervento sul multimetro deve essere eseguito solo da un centro di assistenza autorizzato dalla fabbrica o da altro personale di manutenzione qualificato. Il pannello anteriore e l'involucro possono essere puliti con una soluzione di detergente neutro e acqua; applicare in quantità moderata con un panno morbido e lasciare asciugare completamente prima dell'uso. Non utilizzare idrocarburi aromatici o solventi clorurati per la pulizia.

Sostituzione della batteria o del fusibile (vedi Figura 5)

⚠⚠ Attenzione

Per prevenire scosse elettriche o danni al multimetro, prima di togliere il coperchio posteriore scollegare i cavi di misura da qualsiasi circuito e dal multimetro e poi spegnere quest'ultimo.

Precauzioni

- Ciascuna vite a testa esagonale dell'involucro ha una rondella e una guarnizione integrali che assicurano la tenuta d'acqua e la protezione dalla polvere. Quando si apre il coperchio accertarsi che né la rondella né la guarnizione vengano perse e che siano nella giusta posizione quando si chiude il coperchio.
- Si sconsiglia di utilizzare un coltello o un cacciavite per far leva sul coperchio posteriore allo scopo di aprirlo, in quanto si può danneggiare la flangiatura del bordo dell'involucro e annullare l'integrità della protezione dall'acqua e dalla polvere.
- Il coperchio del fusibile è parte integrale del sistema di sicurezza a norma EN61010-1 Cat IV e va riposizionato per prevenire il rischio di fulgorazione.
- La sostituzione della batteria o del fusibile deve essere eseguita in un ambiente pulito e con la cura appropriata per evitare di contaminare i componenti interni del multimetro.
- Le schede di circuiti non contengono parti su cui l'utente possa intervenire. Uno smontaggio che vada oltre le istruzioni seguenti per la sostituzione della batteria e/o del fusibile, annulla tutte le garanzie.

APERTURA: scollegare i cavi di misura, spegnere il multimetro ed estrarlo dalla custodia. Togliere le sei viti a testa esagonale dal pannello mediante la chiave esagonale da 2 mm riposta nel guscio. Togliere con cautela il coperchio posteriore e poggiare il multimetro con la parte anteriore in giù su una superficie pulita e imbottita.

SOSTITUZIONE DELLA BATTERIA: scollegare i cavi di misura, spegnere il multimetro ed estrarlo dal guscio. Togliere dalla parte posteriore dell'involucro le quattro viti a testa esagonale del coperchio della batteria mediante la chiave esagonale da 2 mm, come illustrato nella Figura 5. Sostituire la batteria con una batteria alcalina da 9 V NEDA tipo 1604 o equivalente. Prima di riposizionare il coperchio e le viti, accertarsi che la guarnizione dello scomparto della batteria sia in buone condizioni e allineata correttamente.

SOSTITUZIONE DEL FUSIBILE: scollegare i cavi di misura, spegnere il multimetro ed estrarlo dal guscio. Togliere le sei viti a testa esagonale dal pannello mediante la chiave esagonale da 2 mm riposta nel guscio. Togliere con cautela il coperchio posteriore e poggiare il multimetro con la parte anteriore in giù su una superficie pulita e imbottita. I fusibili sono situati sotto una copertura protettiva; sollevarla ed estrarre con cautela il fusibile da sostituire facendo leva delicatamente sotto di esso. Estrarre il fusibile grande inserendo sotto le sue calotte terminali un piccolo cacciavite a lama piatta. NON utilizzare la guarnizione come fulcro, perché la si potrebbe deformare irreversibilmente.

⚠⚠ Attenzione

Usare un fusibile di ricambio di tipo e portata identici; l'utilizzo di fusibili diversi oppure per correnti più alte o tensioni più basse può causare scosse elettriche, lesioni personali e/o danni al multimetro. Specifiche del fusibile di ricambio:

fusibile ceramico a intervento rapido da 2 A / 1500 V e 8 × 65 mm. Codice Amprobe® : FP700.

CHIUSURA: riposizionare il coperchio del fusibile e il coperchio posteriore dell'involucro facendo attenzione a non deformare o schiacciare la guarnizione dell'involucro. Reinserrire le sei viti a testa esagonale, ciascuna con una guarnizione e una rondella, e serrarle bene tutte alla stessa coppia. NON serrare eccessivamente perché si potrebbero spanare i fori per le viti nell'involucro. Accende il multimetro e verificarne il funzionamento; se funziona normalmente, reinserirlo nel guscio.

Riparazioni

Per tutti gli apparecchi che vengono spediti per la riparazione o la calibrazione durante la validità della garanzia o al di fuori della garanzia, è necessario allegare quanto segue: nome del cliente, nome dell'impresa, indirizzo, numero di telefono e ricevuta d'acquisto. Si prega inoltre di allegare una breve descrizione del problema verificatosi o della manutenzione richiesta come pure i conduttori di misura insieme al misuratore. Gli importi per le riparazioni effettuate al di fuori della garanzia o per la sostituzione di strumenti sono pagabili tramite assegno bancario, versamento bancario, carta di credito (numero della carta di credito con data di scadenza), altrimenti sarà necessario formulare un ordine alla Amprobe Test Tools.

Riparazioni in garanzia o sostituzione in garanzia - tutti i paesi

Si prega di leggere attentamente la seguente dichiarazione di garanzia e di verificare le batterie, prima di richiedere eventuali riparazioni. Durante il periodo di garanzia tutti gli apparecchi difettosi potranno essere spediti al distributore della Amprobe Test Tools per una sostituzione con gli stessi modelli o un modello simile. Un elenco dei distributori competenti è da apprendere al paragrafo "Where to Buy" (centri di vendita) sul sito Internet www.amprobe.com. Inoltre, gli apparecchi possono essere spediti negli USA e in Canada ad un Amprobe Test Tools Service-Center (per l'indirizzo si veda più in basso) per la riparazione o la sostituzione.

Riparazioni e sostituzione al di fuori della garanzia - USA e Canada

Per le riparazioni al di fuori della garanzia negli Stati Uniti in Canada si potranno spedire gli apparecchi ad un Amprobe Test Tools Service-Center. Le informazioni circa le spese di riparazione e sostituzione attualmente valide sono da richiedere alla Amprobe Test Tools o a un rispettivo centro di vendita.

Negli Stati Uniti: In Canada:
Amprobe Test Tools Amprobe Test Tools
Everett, WA 98203 Mississauga, ON L4Z 1X9
Tel: 877-AMPROBE (267-7623) Tel: 905-890-7600

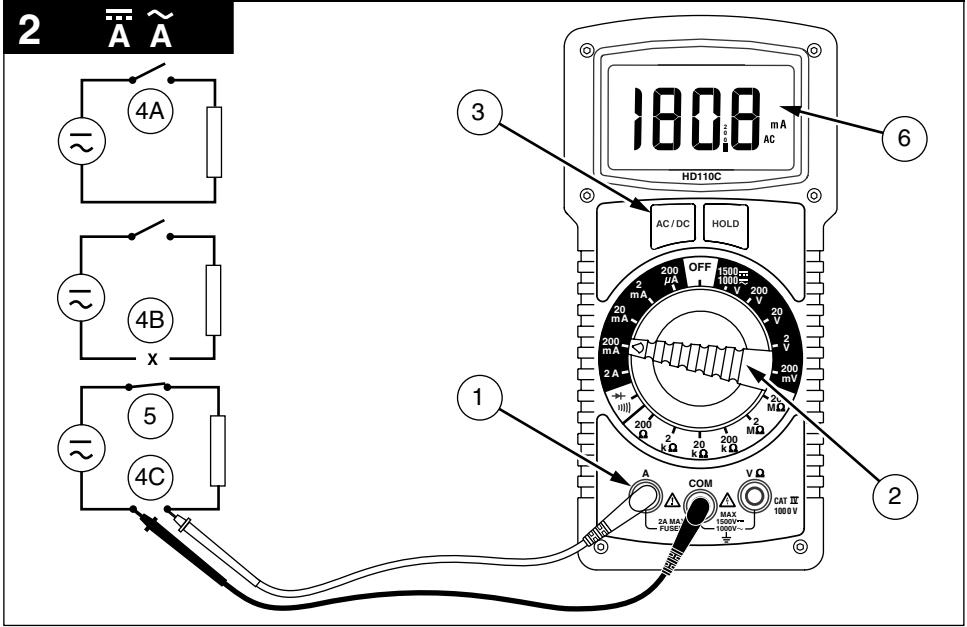
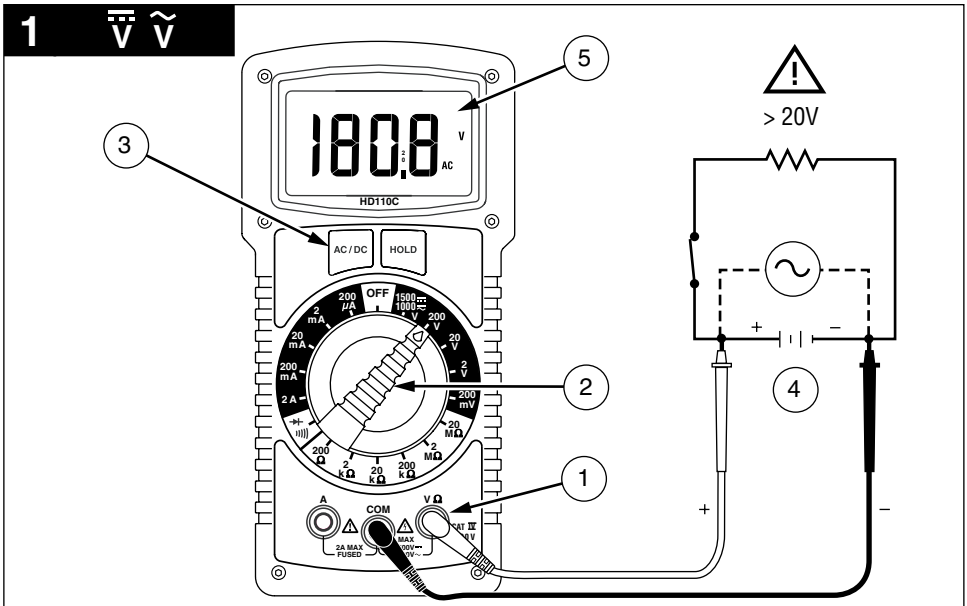
Riparazioni e sostituzione al di fuori della garanzia - Europa

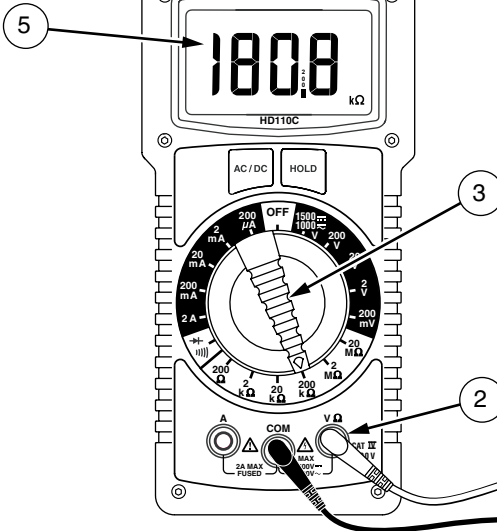
Gli apparecchi potranno essere sostituiti al di fuori della garanzia da parte del distributore competente della Amprobe Test Tools su pagamento del rispettivo importo. Un elenco dei distributori competenti è contenuto al paragrafo "Where to Buy" (centri di vendita) sul sito Internet www.amprobe.com.

Indirizzo per la corrispondenza in Europa *

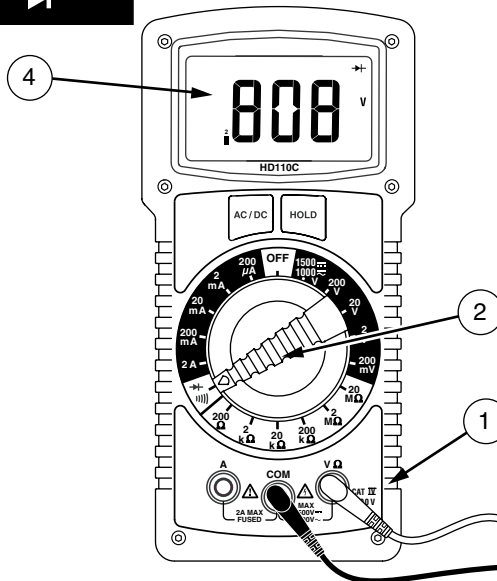
Amprobe Test Tools Europe
P. O. Box 1186
5602 BD Eindhoven
Paesi Bassi

*(solo corrispondenza – non vengono effettuate né riparazioni né sostituzione sotto questo indirizzo. I clienti in Europa sono pregati di rivolgersi al proprio distributore competente.)

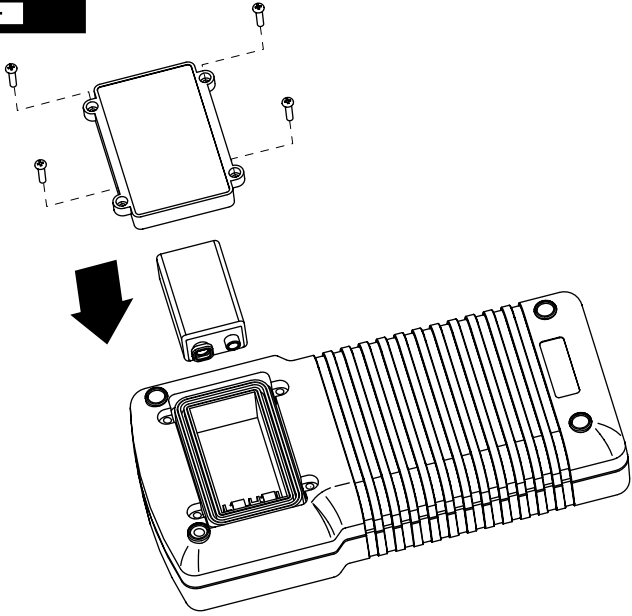


3**Ω****1**

- Discharge capacitors
- Décharger les condensateurs
- Scaricare i condensatori
- Kondensatorer entladen
- Descargue los condensadores
- Ladda ur kondensatorer

4**→****1****3**

5





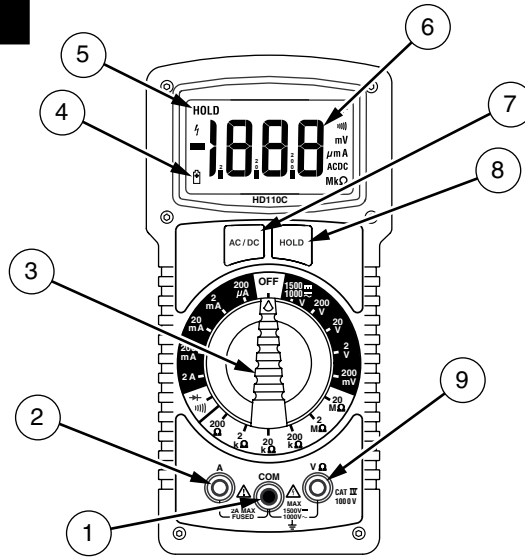
HD110C
Heavy-Duty
Digital Multimeter

Manual de uso

Español

Características del HD110C

HD110C







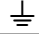

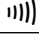





Número	Descripción
1	Entrada COM – entrada común o baja para todas las mediciones
2	Entrada de amperios
3	Interruptor selector de función/rango
4	Indicador de batería con poca carga
5	Indicador de retención
6	Pantalla LCD de 3 1/2 dígitos con indicadores de unidad
7	Botón de CA/CC
8	Botón de retención
9	Entrada alta – voltaje y resistencia

HD110C Heavy-Duty Digital Multimeter

Índice

Símbolos.....	2
Introducción	2
Advertencias y precauciones	2
Familiarización con el instrumento.....	3
Indicación de sobrecarga.....	3
Procedimientos de medición	3
Medición de voltaje de CC y CA (consulte la figura 1).....	4
Medición de corriente de CC y CA (consulte la figura 2).....	4
Medición de resistencia (consulte la figura 3).....	4
Prueba de diodo y continuidad (consulte la figura 4).....	4
Botón AC/DC.....	5
Botón de retención	5
Apagado automático	5
Advertencia de entrada incorrecta	5
Puntas de prueba de seguridad	5
Accesorios opcionales	5
Especificaciones.....	6
Mantenimiento y reparación.....	8
Reemplazo de la batería / fusible (consulte la figura 5).....	8
Reparación.....	9

Símbolos

	Batería		Consulte el manual
	Aislamiento doble		Voltaje peligroso
	Corriente continua		Conexión a tierra
	Corriente alterna		Tono audible
	Fusible		Cumple con las directivas de la UE
	Cumple con las normas australianas aplicables.		<i>Asociación Canadiense de Normalización (Canadian Standards Association).</i> [Nota: canadiense y norteamericana.]
	No se deshaga de este producto como un residuo normal utilizando los servicios municipales. Póngase en contacto con Amprobe® o con un agente de reciclado de residuos autorizado.		

Introducción

El multímetro digital para servicio pesado HD110C es un instrumento con pantalla de lectura de 3-1/2 dígitos, selección manual del rango, medición de valor eficaz verdadero promedio acoplado con CA, que mide: voltaje, corriente, resistencia, continuidad y empalmes de diodos. La selección del menú permite la retención de datos, y la selección de voltaje de CA o CC y de corriente.

Advertencias y precauciones

Este instrumento está certificado por EN61010-1 para instalaciones Cat IV, 1000 V CA/ 1500 V CC y menores. Basándose en los requisitos con respecto a los picos transitorios de EN61010-1, este producto sólo debe utilizarse en instalaciones en las que los transitorios no superan los 12000 voltios (un impulso de 1,2 μ S/50 μ S).

- Todas las entradas están protegidas contra condiciones de sobrecarga continua hasta los límites de protección de entrada indicada para cada función (consulte las especificaciones). Nunca exceda estos límites ni los valores nominales marcados en el instrumento mismo.
- Tenga cuidado extremo al: medir voltaje > 20 V, corriente > 10 mA, línea de potencia de CA con cargas inductivas, línea de potencia de CA durante tormentas eléctricas. Los voltajes altos pueden ser letales y podrían ocurrir transitorios de voltaje alto en cualquier momento.
- Pueden ocurrir lesiones al operador o daños al multímetro durante mediciones de corriente si el fusible se quema en un circuito cuyo voltaje de circuito abierto excede el valor de 1000 V CA/1500 V CC.
- Siempre inspeccione su multímetro digital, puntas de prueba y accesorios en busca de señales de daños o anomalías antes de usarlo. Si existe una condición anormal (puntas de prueba rotas o dañadas, caja agrietada, pantalla que no muestra lecturas, etc.), no lo utilice. La tapa interna del fusible es integral al valor nominal de seguridad EN61010-1 Cat IV y debe estar en posición para evitar potenciales riesgos por descarga eléctrica.
- Al realizar pruebas de voltaje o corriente, asegúrese de que estos rangos funcionen correctamente. Tome primero una lectura de un voltaje o corriente conocidos.
- Nunca sirva de conexión a tierra al tomar mediciones. No toque los conductos, tomas, aparatos, etc, metálicos expuestos que puedan estar en potencial de tierra. Mantenga el cuerpo aislado de la tierra y nunca toque los cables, conexiones, puntas de las sondas

de prueba o cualquier conductor de circuito vivo que esté expuesto. No utilice la correa flexible para conectar el multímetro a su cuerpo.

- Siempre mida la corriente en serie con la carga – NUNCA conecte el multímetro A TRAVÉS DE una fuente de voltaje. Revise primero el fusible.
- Nunca reemplace un fusible con uno de valor nominal diferente.
- No opere el instrumento en una atmósfera explosiva (con gases, humos, vapor o polvo inflamables).
- No utilice ésta ni cualquier parte del equipo de prueba sin la capacitación adecuada.
- **RECORDATORIO DE SEGURIDAD PARA SERVICIO CRT:** Existe un peligro potencial al medir voltajes en la salida horizontal y etapas de amortiguador del equipo CRT. (Transitorios de voltaje alto de más de 8000 V.) Consulte su manual de servicio CRT para conocer las instrucciones correctas de servicio técnico.

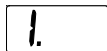
Familiarización con el instrumento

Su caja de envío debe incluir el multímetro, una funda con correa para colgar Magne-Grip, un conjunto de puntas de prueba (una negra, una roja), pinzas de conexión roscada, una batería de 9 V (instalada), una llave hexagonal de 2 mm (en el interior de la funda) y este manual. Si alguno de los elementos estuviera dañado o faltara, devuelve de inmediato el paquete completo al lugar de compra para hacer un cambio.

Funda protectora

La funda/soporte inclinable protegen al multímetro de caídas accidentales y proporcionan una mayor facilidad de uso. Ambas sondas de las puntas de prueba pueden conectarse a la funda para su almacenamiento. Una sonda puede conectarse para medición, sujetando el multímetro con la sonda en una mano y la segunda sonda en la otra mano.

Indicación de sobrecarga



Indicación de sobrecarga: (la entrada supera el rango más alto del multímetro) y sobrecarga en pantalla (la entrada supera el rango seleccionado) ambos aparecen indicados mediante un número 1 que aparece del lado izquierdo de la pantalla LCD. En

los rangos de voltios o amperaje, la sobrecarga en pantalla puede corregirse seleccionando un rango más alto para mostrar la lectura de entrada. Si se selecciona el rango más alto y continúa la indicación de sobrecarga, se trata ahora de una sobrecarga de entrada. Retire las puntas de prueba del circuito inmediatamente ya que la entrada sobrepasa la capacidad nominal del multímetro.

Nota: En ambos casos, la indicación de sobrecarga es normal en los rangos OHMS y continuidad/diodo para indicar un circuito abierto. *Error de función* aparece indicado mediante un tono continuo cuando una punta de prueba se coloca en el conector de 2 A y el interruptor selector no se encuentra en el rango de corriente correcto. Si el multímetro está conectado a una fuente de voltaje con puntas de prueba fijadas para corriente, puede ocasionarse una corriente muy alta. Todos los rangos de corriente están protegidos con fusibles de acción rápida.

Batería con poca carga: Cuando aparece el indicador de batería con poca carga, la batería tiene menos de 50 horas de operación y la exactitud del multímetro ya no puede garantizarse.

Procedimientos de medición

Encienda el multímetro girando el interruptor de función/rango de modo de alejarlo de la posición OFF (APAGADO) y seleccionando el parámetro que desea medir. Si el parámetro seleccionado tiene más de una posición del rango, la pantalla indicará el rango mediante una posición cambiante del punto decimal. Siempre seleccione el rango más alto si no se conoce la máxima lectura potencial. Luego gira el interruptor selector hacia abajo en el rango para obtener la lectura con la mejor resolución.

1. Al conectar o desconectar las puntas de prueba a un circuito, siempre apague la alimentación eléctrica al dispositivo o al circuito que se está probando y descargue todos los capacitores.
2. Cumpla estrictamente con los límites máximos de entrada.

3. No cambie las funciones mientras las puntas de prueba están conectadas al circuito.

Medición de voltaje de CC y CA (consulte la figura 1)

1. Conecte las puntas de prueba al multímetro tal como se muestra en la figura 1.
2. Gire el interruptor selector de funciones a la posición V y al rango deseado.
3. Pulse el botón del menú AC/DC (CA/CC) para mostrar el indicador de CA o CC.
4. Toque las puntas de la sonda a través de la fuente de voltaje (en paralelo con el circuito).
5. El valor del voltaje aparecerá en la pantalla digital, junto con la polaridad del voltaje (para CC).

Medición de corriente de CC y CA (consulte la figura 2)

1. Conecte la punta de prueba roja a la entrada de A para mediciones de corriente de hasta 2 A. Conecte la punta de prueba negra al conector de entrada COM.
2. Fije el interruptor de funciones al rango deseado de corriente.
3. Pulse el botón del menú AC/DC (CA/CC) para mostrar el indicador de CA o CC.
4. Abra el circuito en el cual se desea medir la corriente (el voltaje entre este punto y la tierra no debe exceder los 1000 V CA/1500 V CC). Conecte las puntas de prueba de manera firme, en serie con la carga.
5. Encienda la alimentación eléctrica al circuito bajo prueba.
6. Lea el valor de corriente en la pantalla digital.

Advertencia de entrada incorrecta: Sonará un tono cuando se conecta una punta de prueba al conector de amperaje, pero el interruptor selector no se fija al rango de corriente correcto. Los rangos de 200 μ A a 2 A requieren que la punta de prueba esté en el conector A.

Medición de resistencia (consulte la figura 3)

1. Apague cualquier alimentación eléctrica a la resistencia que se desea medir, y descargue cualquier capacitor. Todo voltaje presente durante una medición de resistencia causará lecturas inexactas.
2. Conecte las puntas de prueba al multímetro tal como se muestra en la figura 3.
3. Fije el interruptor de función/rango al rango deseado de resistencia.
4. Conecte las puntas de prueba al circuito que se está midiendo.
5. Lea el valor de resistencia en la pantalla digital. Los circuitos abiertos aparecerán como "1".

Prueba de diodo y continuidad (consulte la figura 4)

La prueba de diodo mide la caída de voltaje a través del empalme del diodo.

1. Conecte las puntas de prueba tal como se muestra en la figura 4.
2. Fije el interruptor función/rango en $\rightarrow \text{di}$.
3. Aplique la punta de la sonda de la punta de prueba roja al ánodo y la punta de prueba negra al cátodo del diodo.
4. La pantalla del multímetro indica la caída de voltaje hacia adelante (aprox. 0,6 V para un diodo silicónico o 0,4 V para un diodo de germanio). Un diodo abierto aparece indicado por "1".
5. Invierta las conexiones de las puntas de prueba al diodo para realizar una prueba de polarización inversa. "1" indica un diodo en buenas condiciones.

Notas: "1" para las pruebas de polarización inversa y directa indica un diodo abierto. Una lectura de voltaje bajo para ambas pruebas de polarización indica un diodo en cortocircuito. Si el diodo se coloca en derivación mediante un resistor de 1000 Ω o menos, deberá ser retirado del circuito antes de tomar la medición. Los empalmes de transistores bipolares pueden comprobarse de la misma manera descrita más arriba dado que los empalmes emisor-base y base-colector con empalmes de diodos.

Al medir continuidad (también para diodos en cortocircuito), el multímetro emite un tono continuo cuando el valor de resistencia disminuye por debajo de 50 Ω .

Botón AC/DC



El botón AC/DC (CA/CC) funciona junto con el interruptor selector para alternar el tipo de entrada deseada para los rangos de voltios y amperios. Cada pulsación del botón alternará nuevamente el tipo de entrada, y una indicación de CA o CC aparecerá en la pantalla.

Botón de retención



La función de retención de datos congela la lectura presente en la pantalla LCD en el momento en que se pulsa el botón. Para utilizar esta característica del menú, configure el multímetro para el tipo de medición y rango deseados. Conecte las puntas de prueba al circuito/componente que se desea medir, y luego pulse Hold (Retener). La lectura de la pantalla LCD se congelará y mostrará "HOLD" (RETENER). Ahora puede retirar las puntas de prueba y la lectura no cambiará hasta que vuelva a pulsar Hold (Retener) una vez más.

Apagado automático

Con el propósito de ahorrar vida útil de la batería, el multímetro se apaga automáticamente después de aproximadamente 30 minutos de inactividad. Puede volver a encenderlo girando el interruptor selector de funciones a la posición OFF (APAGADO) y volviendo a colocarlo en una función de medición.

Advertencia de entrada incorrecta

El multímetro emite un tono sonoro uniforme y muestra «» cuando se coloca una punta de prueba en el conector de entrada de 2 A y el interruptor selector no se fija en una posición de corriente correcta. Si el multímetro está conectado a una fuente de voltaje con puntas de prueba fijadas para corriente, puede ocasionarse una corriente muy alta. Todos los rangos de corriente están protegidos con fusibles de acción rápida.

Puntas de prueba de seguridad

Las puntas de prueba incluidas con su multímetro tienen conectores tipo banana con recubrimiento para eliminar la posibilidad de descargas eléctricas en caso de salirse accidentalmente el enchufe del multímetro al estar tomando una medición. El número de referencia de reemplazo para las puntas de prueba de seguridad es TL1500.

Accesorios opcionales

CT235A	Pinza amperimétrica de CA/CC de 1000 A	FP700	fusible de 2 A/1500 V
CT237A	Pinza amperimétrica de CA/CC de 200 A	HV231-10A	Sonda de alto voltaje
CT238A	Pinza amperimétrica de CA/CC de 20 A	TC253B	Convertidor de temperatura (900 °C/1652 °F)
DC205C	Estuche de transporte rígido, de lujo	TL1500	Puntas de prueba de reemplazo estándar, con pinzas de conexión roscadas, CAT IV
DC207C	Estuche de transporte rígido, de lujo, grande, con espacio adicional para los accesorios	VC221B	Estuche de transporte vinílico acolchado


Especificaciones

Especificaciones generales

Pantalla: LCD de 3-1/2 dígitos, 1999 conteos, con anunciadores y características de menú

Indicación de polaridad: Automática

Indicación de sobrecarga de entrada: 1

Indicación de batería con poca carga:  Queda < 50 horas de vida útil de la batería; ya no se garantiza la exactitud

Velocidad de actualización de la pantalla: 2,5/seg, nominal

Temperatura en funcionamiento (< 75 % H.R.): 0 °C a +50 °C

Temperatura en almacenamiento: -20 °C a 60 °C, 0 a 80 % HR, sin la batería

Coefficiente de temperatura: 0,1 x (exactitud especificada)/°C (0 ° a 18 °C y 28° a 50 °C) todas las funciones y gamas a excepción del mVDC

Coefficiente de temperatura: 0,3 x (exactitud especificada)/°C (0 ° a 18 °C y 28° a 50 °C) para el mVDC

Medio ambiente: Sólo para uso en interiores

Altitud: Hasta 2000 m

Potencia: Batería estándar de 9 V, NEDA 1604, JIS 006P, IEC 6F22

Apagado automático: El multímetro se apaga después de aproximadamente 30 minutos de inactividad

Duración de la batería: 250 horas típicamente con baterías de carbón-zinc, 500 horas típicamente con baterías alcalinas

Dimensiones, con funda (Alt x Anch x Prof): 200 x 102 x 59 mm (7,9 pulg x 4,0 pulg x 2,3 pulg)

Peso (con batería): 642 g (1,4 lb)

Accesorios: Puntas de prueba, batería (en el instrumento), llave hexagonal en la funda, correa flexible Magne-Grip y manual de uso

Material del estuche: Termoplástico de alto impacto, retardante de la llama

Seguridad: Cumple con EN 61010-1 Cat IV - 1500 V CC y 1000 V CA rms, Clase II EN60529:IP67

EMC: Cumple con EN 61326-1

CE Este producto cumple con los requisitos de las siguientes Directivas de la Comunidad Europea: 89/336/EEC (compatibilidad electromagnética) y 73/23/EEC (voltaje bajo) según enmendado por 93/68/EEC (marca CE).

Sin embargo, el ruido eléctrico o los campos electromagnéticos intensos en las cercanías del equipo pueden perturbar el circuito de medición. Los instrumentos de medición también responderán a señales indeseadas que pueden estar presentes dentro del circuito de medición. Los usuarios deben tener cuidado y tomar las precauciones apropiadas para evitar obtener resultados engañosos al hacer mediciones ante la presencia de interferencia electrónica.

Especificaciones eléctricas

Exactitudes a 23 °C ± 5 °C, < 75 % HR sin condensación, garantizadas durante un año.

Voltios CC

Rangos: 200 mV, 2 V, 20 V, 200 V, 1500 V

Resolución: 0,1 mV

Exactitud: Todos los rangos \pm (0,1 % de la lectura +2 dígitos)

Impedancia de entrada: 10 M Ω

Protección OL: 1500 V CC/1000 V CA rms

Protección contra transitorios: Impulso de 12 kV (1,2 μ S/50 μ S) basado en el requisito de impulsos de

EN 61010-1:2001 para un producto CAT IV 1000 V. Este producto no debe utilizarse en instalaciones en donde los transitorios superen el valor de 12 kV.

Voltios de CA (45 Hz a 2 kHz)

Rangos: 200 mV, 2 V, 20 V, 200 V, 1000 V

Resolución: 0,1 mV

Exactitud: 200 mV a 200 V (45-500 Hz): \pm (0,8 % de la lectura +4 dígitos) 1000 V (50-60 Hz): \pm (0,8 % de la lectura +4 dígitos); 200 mV a 200 V (500 Hz-2 kHz): \pm (1,5 % de la lectura +5 dígitos) 1000 V (60-500 Hz): \pm (1,5 % de la lectura +5 dígitos)

Impedancia de entrada: 10 M Ω

Protección OL: 1500 V CC/1000 V CA rms

Protección contra transitorios: Impulso de 12 kV (1,2 μ S/50 μ S) basado en el requisito de impulsos de EN 61010-1:2001 para un producto CAT IV 1000 V. Este producto no debe utilizarse en instalaciones en donde los transitorios superen el valor de 12 kV.

Corriente CC

Rangos: 200 μ A, 2 mA, 20 mA, 200 mA, 2 A

Resolución: 0,1 μ A

Exactitud: 200 μ A a 20 mA: \pm (0,5 % de la lectura +2 dígitos), 200 mA a 2 A: \pm (1,0 % de la lectura +2 dígitos)

Voltaje típico de la carga: 250 mV máx. (1 mV/1 μ A en rango de 200 μ A)
(100 mV/1 mA en rango de 2 mA),
(10 mV/1 mA en rango de 20 mA),
(1,5 mV/1 mA en rango de 200 mA),
(500 mV/1 A en rango de 2 A)

Protección OL: A de entrada (F 2 A/1500 V, tamaño 8 x 65 mm IR cerámico de quemado rápido)

Corriente de CA (45 Hz a 1 kHz)

Rangos: 200 μ A, 2 mA, 20 mA, 200 mA, 2 A

Resolución: 0,1 μ A

Exactitud: 200 μ A a 20 mA: \pm (0,8 % de la lectura +4 dígitos), 200 mA a 2 A: \pm (1,2 % de la lectura +4 dígitos)

Voltaje típico de la carga: 250 mV máx. (1 V en rango de 2 A)

Protección OL: Igual a la corriente de CC.

Resistencia

Rangos: 200 Ω , 2 k Ω , 20 k Ω , 200 k Ω , 2 M Ω , 20 M Ω

Resolución: 0,1 Ω

Exactitud: 200 Ω \pm (0,5 % de la lectura +4 dígitos), 2 k Ω a 200 k Ω \pm (0,3 % de la lectura +2 dígitos), 2 M Ω \pm (1,0 % de la lectura +4 dígitos), 20 M Ω \pm (2,0 % de la lectura +4 dígitos)

Protección OL: 1500 V CC/1000 V CA rms

Voltaje de circuito abierto, 200 Ω de rango: 3,0 V CC típico; todos los demás rangos 0,3 V CC típico.

Prueba de diodos/continuidad

Corriente de comprobación: 1m A CC típica

Voltaje de prueba en circuito abierto: 3,0 V CC típico

Diodos Exactitud: \pm (1,5 % de la lectura +2 dígitos)

Protección OL: 1500 V CC/1000 V CA rms

Continuidad umbral audible: < 50 Ω \pm 25 Ω

Tiempo de respuesta: < 100 milisegundos

Mantenimiento y reparación

Si parece haber un malfuncionamiento durante la operación del multímetro, los pasos siguientes deben realizarse a fin de poder aislar la causa del problema:

1. Verificar la batería.
2. Revisar las instrucciones de operación para detectar posibles errores en el procedimiento de operación.
3. Inspeccionar y comprobar las sondas de prueba para detectar si hay una conexión rota o intermitente.
4. Inspeccionar y comprobar el fusible. Consulte Reemplazo del fusible.

Salvo el reemplazo de la batería o fusible, la reparación del multímetro debe ser realizada únicamente por un Centro de Servicio Autorizado por la Fábrica o por otro personal calificado de servicio a instrumentos. El panel frontal y la caja pueden limpiarse con una solución ligera de detergente y agua. Aplique poca cantidad con un paño suave y deje secar completamente antes de usar. No utilice hidrocarburos aromáticos ni solventes clorados para la limpieza.

Reemplazo de la batería / fusible (consulte la figura 5)

Advertencia

Para evitar descargas eléctricas o daños al multímetro, desconecte las puntas de prueba del multímetro de cualquier circuito y del multímetro; luego apague el multímetro antes de desmontar la cubierta posterior de la caja.

Precauciones

- Cada uno de los tornillos de cabeza hexagonal para la caja tiene una arandela y empaquetadura integral a la integridad a prueba de agua y polvo del multímetro. Al abrirla, asegúrese de guardarlos y reemplazarlos al cerrar.
- No se recomienda apalancar la cubierta posterior de la caja con un cuchillo o destornillador dado que esto puede causar daños a las bridas del borde de la caja y/o empaquetadura y destruir la integridad a prueba de agua y polvo.
- La tapa interna del fusible es integral al valor nominal de seguridad EN61010-1 Cat IV y reemplazarse para evitar potenciales riesgos por descarga eléctrica
- El reemplazo de la batería o el fusible debe realizarse en un entorno limpio y con el cuidado apropiado para evitar contaminar los componentes interiores del multímetro.
- No hay piezas ni componentes a los que el usuario pueda dar servicio en las placas de los circuitos. Un desmontaje mayor que el indicado por las instrucciones siguientes para el reemplazo de la batería y/o fusible anulará todas las garantías.

APERTURA: Desconecte las puntas de prueba, apague el multímetro y retire la funda. Retire los seis tornillos de cabeza hexagonal de la placa frontal utilizando la llave hexagonal de 2 mm montada en la funda. Retire la tapa de la caja posterior cuidadosamente y coloque la parte frontal del multímetro boca abajo sobre una superficie acolchada limpia.

REEMPLAZO DE LA BATERÍA: Desconecte las puntas de prueba, apague el multímetro y retire la funda. Retire los 4 tornillos de cabeza hexagonal de la tapa para la batería de la tapa posterior de la caja utilizando la llave hexagonal de 2 mm tal como se muestra en la figura 5. Reemplace la batería con una batería alcalina de 9 V NEDA tipo o equivalente. Asegúrese de que el sello del compartimiento de la batería esté en buenas condiciones y correctamente alineado antes de reemplazar la tapa y los tornillos.

REEMPLAZO DEL FUSIBLE: Abra la caja desconectando las puntas de prueba, apague el multímetro y retire la funda. Retire los seis tornillos de cabeza hexagonal de la placa frontal utilizando la llave hexagonal de 2 mm montada en la funda. Retire la tapa de la caja posterior cuidadosamente y coloque la parte frontal del multímetro boca abajo sobre una superficie acolchada limpia. Los fusibles se encuentran ubicados debajo de la tapa protectora. Levante la tapa para quitarla y retire con cuidado el fusible, apalancando suavemente debajo del fusible. Apalanche el fusible grande para quitarlo, colocando un pequeño destornillador plano debajo de las tapas del extremo del fusible. NO utilice la empaquetadura como punto de equilibrio ya que esto podría desfigurar la empaquetadura de manera permanente.

⚠️ ⚠️ Advertencia

Utilice únicamente un fusible del mismo tamaño y tipo que el especificado. La utilización de fusibles de mayor amperaje o menor voltaje o de diferente tipo podría resultar en descargas eléctricas, lesiones y/o daños al multimetro. El fusible de reemplazo es:

fusible de 2 A/1500 V de quemado rápido, cerámico, de tamaño 8 x 65 mm (pequeño). Amprobe® n/r: FP700.

CIERRE: Reemplace la tapa del fusible y reemplace la tapa de la caja posterior teniendo cuidado de no flexionar ni pinzar la empaquetadura del borde de la caja. Vuelva a instalar los seis tornillos de cabeza hexagonal con una empaquetadura y arandela y apriete de manera firme con una cantidad uniforme de apriete en cada una. NO apriete demasiado ya que esto puede desprender las roscas de la caja. Encienda el multimetro y compruebe el funcionamiento. Si está trabajando normalmente, reemplace la funda.

Reparación

Todas las herramientas de comprobación devueltas para su calibración o reparación, cubiertas o no por la garantía, deberán estar acompañadas por lo siguiente: su nombre, el nombre de la empresa, la dirección, el número de teléfono y una prueba de compra. Además, incluya una breve descripción del problema o del servicio solicitado y las puntas de prueba del medidor. Los pagos correspondientes a reparaciones o reemplazos no cubiertos por la garantía se deben remitir a la orden de Amprobe Test Tools en forma de cheque, giro postal, pago mediante tarjeta de crédito (incluir el número y la fecha de vencimiento) u orden de compra.

Reparaciones y reemplazos cubiertos por la garantía – Todos los países

Antes de solicitar una reparación sírvase leer la siguiente declaración de garantía y compruebe el estado de la pila. Durante el periodo de garantía, toda herramienta de comprobación en mal estado de funcionamiento puede ser devuelta al distribuidor de Amprobe Test Tools para cambiarla por otra igual o un producto semejante. Consulte la sección “Dónde comprar” del sitio www.amprobe.com en Internet para obtener una lista de los distribuidores de su zona. Además, en los Estados Unidos y Canadá las unidades para reparación y reemplazo cubiertas por la garantía también se pueden enviar a un Centro de Servicio de Amprobe Test Tools (las direcciones se incluyen más adelante).

Reparaciones y reemplazos no cubiertos por la garantía – Estados Unidos y Canadá

Las unidades para reparaciones no cubiertas por la garantía en Estados Unidos y Canadá se deben enviar a un Centro de Servicio de Amprobe Test Tools. Póngase en contacto con Amprobe Test Tools o con el vendedor de su producto para solicitar información acerca de los precios vigentes para reparación y reemplazo.

En Estados Unidos

Amprobe Test Tools

Everett, WA 98203

Tel: 877-AMPROBE (267-7623)

En Canadá

Amprobe Test Tools

Mississauga, ON L4Z 1X9

Tel: 905-890-7600

Reparaciones y reemplazos no cubiertos por la garantía – Europa

El distribuidor de Amprobe Test Tools puede reemplazar aplicando un cargo nominal las unidades vendidas en Europa no cubiertas por la garantía. Consulte la sección “Dónde comprar” del sitio www.amprobe.com en Internet para obtener una lista de los distribuidores de su zona

Dirección para envío de correspondencia en Europa*

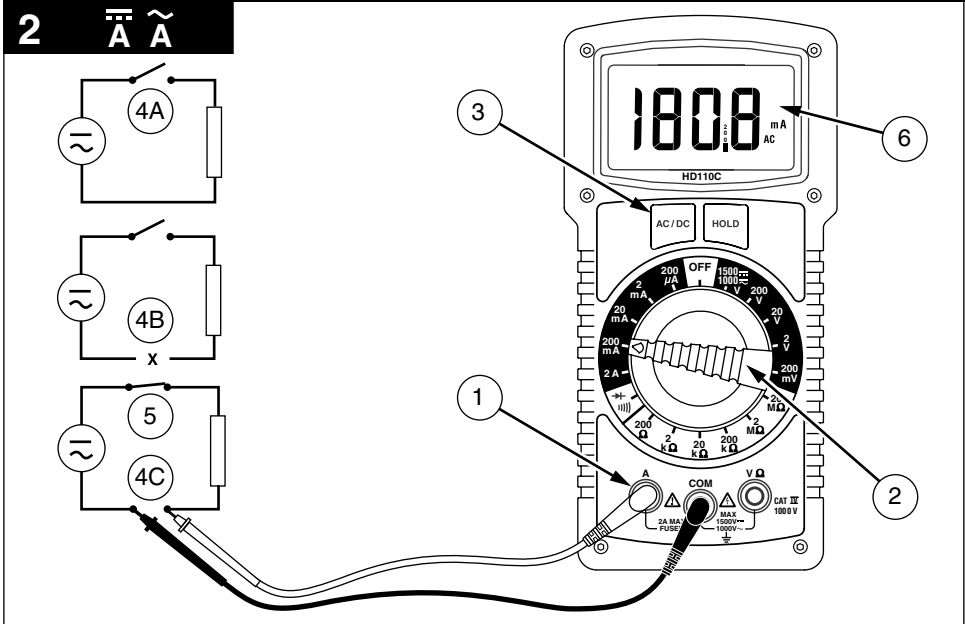
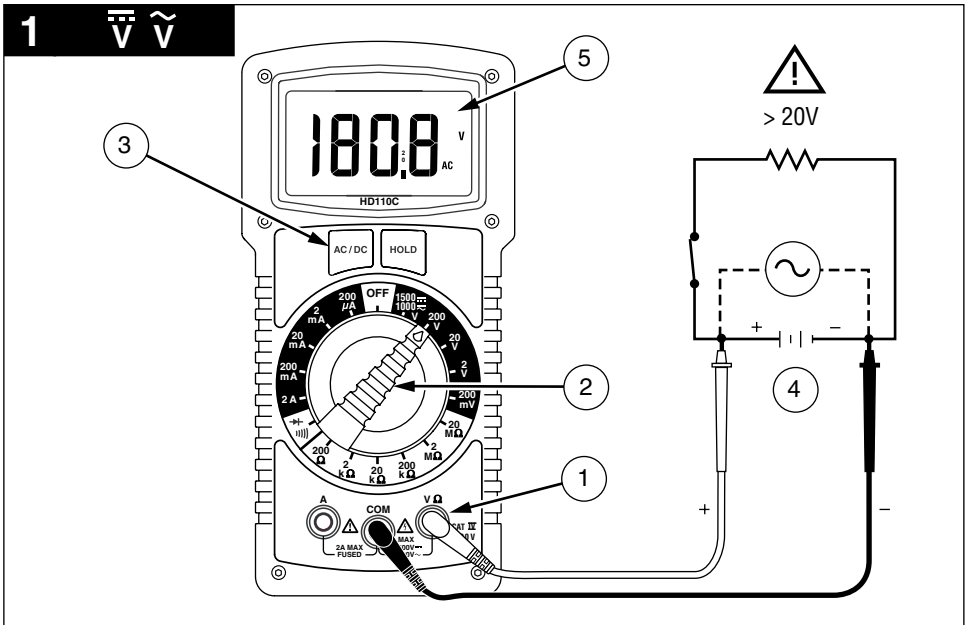
Amprobe Test Tools Europe

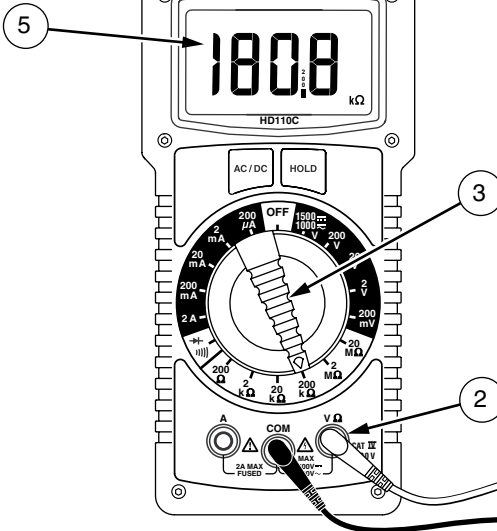
P. O. Box 1186

5602 BD Eindhoven

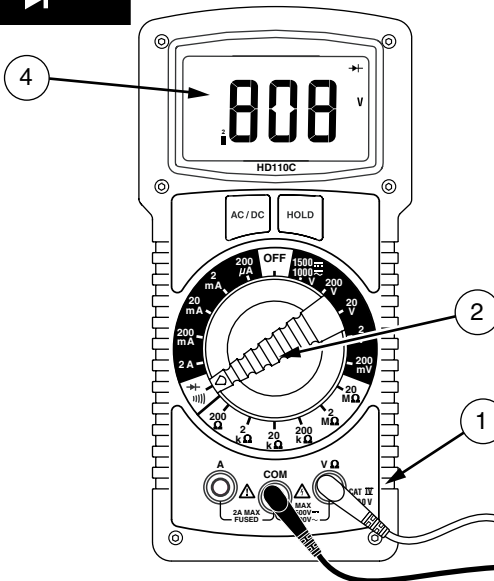
Pays-Bas

*Correspondencia solamente. En esta dirección no se suministran reparaciones ni reemplazos. Los clientes europeos deben ponerse en contacto con el distribuidor)

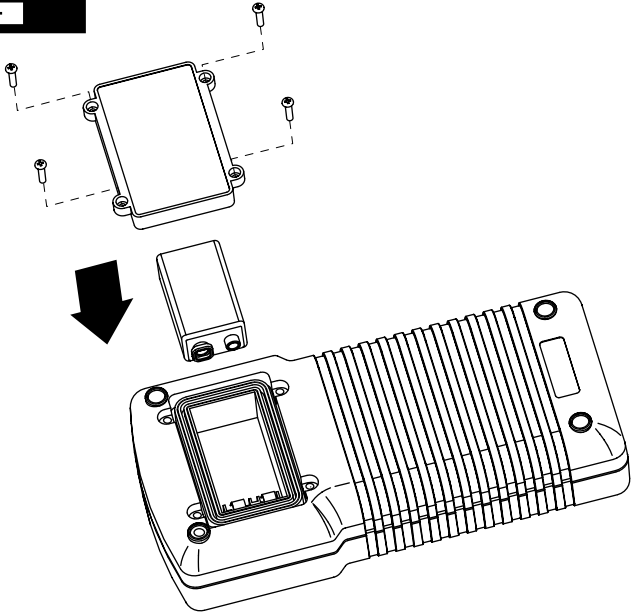


3**Ω**

Discharge capacitors
 Décharger les condensateurs
 Scaricare i condensatori
 Kondensatorer entladen
 Descargue los condensadores
 Ladda ur kondensatorer

1**4****↔**

5





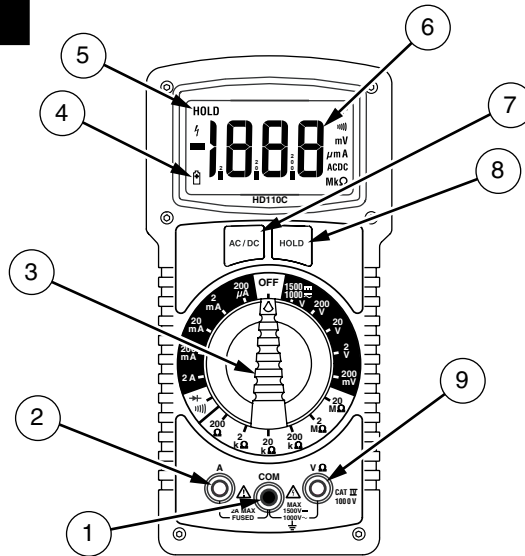
HD110C
Heavy-Duty
Digital Multimeter

Användarhandbok

Svenska

Funktioner i HD110C

HD110C



Nummer	Beskrivning
1	COM-ingång – gemensam eller låg ingång för alla mätningar
2	Ingång för strömstyrka
3	Funktions-/områdesväljare
4	Indikator för svagt batteri
5	Pausindikator
6	3 ½-siffrig LCD-display med enhetsindikatorer
7	Knapp för växelström/likström
8	Pausknapp
9	Hög ingång – spänning och motstånd

HD110C Heavy-Duty Digital Multimeter

Innehåll

Symboler	2
Inledning	2
Varningar och försiktighetsåtgärder	2
Bekanta dig med instrumentet	3
Indikation om överbelastning	3
Mätprocedurer	3
Mäta lik- och växelspanning (se figur 1)	4
Mäta lik- och växelström (se figur 2)	4
Mäta motstånd (se figur 3)	4
Testa diod och kontinuitet (se figur 4)	4
Knapp för växelström/likström	5
Pausknapp	5
Automatisk avstängning	5
Varning om felaktig inmatning	5
Säkerhetsmåtsladdar	5
Valfria tillbehör	5
Specifikationer	6
Underhåll och reparation	8
Byta batteri/säkring (se figur 5)	8
Reparation	9

Symboler

	Batteri		Se handboken.
	Dubbelisolering		Farlig spänning
	Likström		Jordning
	Växelström		Hörbar ton
	Säkring		Överensstämmer med EU-direktiven
	Uppfyller kraven i relevanta australiensiska normer.		Canadian Standards Association [Obs! Kanada och USA]
	Avyttra inte denna produkt tillsammans med osorterade, vanliga sopor. Kontakta Amprobe® eller en behörig återvinningsanläggning för avyttring.		

Inledning

HD110C Heavy-Duty Digital Multimeter är ett 3-1/2-siffrigt, växelströmskorsat, genomsnittsmätande, effektivvärdesavläsande displayinstrument med manuell områdesinställning som mäter: spänning, strömstyrka, motstånd, kontinuitet och diodövergångar. Menyerna medger datapaus, växelströms- eller likströmsspänning samt val av strömstyrka.

Varningar och försiktighetsåtgärder

Detta instrument är godkänt enligt EN61010-1 för installationer med Cat IV, 1 000 V växelström/1 500 V likström och lägre. Baserat på EN61010-1krav avseende transienter bör denna produkt endast användas i installationer där transienterna inte överskrider 12 000 V (en puls på 1,2 μ S/50 μ S).

- Alla ingångar är skyddade mot kontinuerliga överbelastningsförhållanden upp till gränserna för varje funktions angivna ingångsskydd (se Specifikationer). Se till att aldrig överskrida dessa gränser eller de klassningar som är märkta på själva instrumentet.
- Var mycket försiktig vid mätning av spänning > 20 V, strömstyrka > 10 mA, växelströmsledning med induktionsbelastning och växelströmsledning under åskväder. Höga spänningar kan vara dödliga och höga spänningstransienter kan uppstå när som helst.
- Skador på handhavaren eller multimetern kan uppstå under mätning av strömstyrka om säkringen går i en krets där den öppna kretsens spänning överstiger 1 000 V växelström/1 500 V likström.
- Se till att alltid kontrollera din DMM, mätsladdarna och tillbehören med avseende på tecken på skador eller onormala tillstånd innan du använder dem. Använd inte instrumentet om ett onormalt tillstånd föreligger (brustna eller skadade mätsladdar, spruckna kåpa, tim display osv.). Locket till den inbyggda säkringen är väsentligt för EN61010-1 Cat IV-säkerhetsklassningen och måste sitta på plats för att undvika risken för stötar.
- Vid test av spänning eller strömstyrka måste du se till att dessa områden fungerar korrekt. Börja med att läsa av en känd spänning eller strömstyrka.
- Se till att du inte är jordad när du utför mätningar. Vidrör inte blottlagda metallrör, uttag, fixturer osv. som kan vara jordade. Håll kroppen isolerad från jord och vidrör aldrig blottlagda ledningar, kopplingar, spetsar på testsonder eller ledare i aktiva kretsar. Använd inte Flex-Strap för att sätta fast mätaren på kroppen.

- Mät alltid strömstyrka i serie med belastningen – koppla ALDRIG in mätaren TVÄRSÖVER en spänningskälla. Kontrollera säkringen först.
- Byt aldrig ut säkringen mot en säkring med andra märkvärden.
- Använd inte instrumentet där explosionsrisk föreligger (brännbara gaser, ångor, utdunstning, damm).
- Använd inte denna eller någon annan testutrustning utan korrekt utbildning.
- SÄKERHETSPÅMINNELSE FÖR CRT-SERVICE: Det föreligger en potentiell fara vid mätning av spänningar i stadierna för vågrät utmatning och dämpare på CRT-utrustning. (Höga spänningstransienter som överstiger 8 000 V.) Servicehandboken för CRT-utrustningen innehåller anvisningar för korrekt servicearbete.

Bekanta dig med instrumentet

Transportförpackningen ska innehålla din multimeter, ett hölster med ett Magne-Grip-upphängningsband, ett par mätsladdar (en svart och en röd) med gängade krokodilklämmor, ett 9 V batteri (installerat), en 2 mm insexnyckel (inuti hölstret) samt denna handbok. Om någon av dessa delar är skadad eller saknas bör du omedelbart returnera paketet till inköpsstället för utbyte. Skyddshölster

Hölstret/stativet skyddar mätaren så att den inte ramlar och gör det enklare att använda mätaren. Båda mätsladdarnas sonder kan sättas fast i hölstret för förvaring. En sond kan fästas för mätning medan mätaren med sonden hålls i den ena handen och den andra sonden hålls i den andra handen.

Indikation om överbelastning



Överbelastningsindikation: Ingångsöverbelastning (ingångsvärdet överskrider mätarens högsta område) och displayöverbelastning (ingångsvärdet överskrider det valda området) signaleras genom att en etta (1) visas på displayens vänstra sida. I

områden för spänning eller strömstyrka kan displayöverbelastning korrigeras genom att välja ett högre område för visning av avlästa ingångsvärden. Om det högsta området är valt och överbelastningsindikationen fortsätter innebär det att det rör sig om en ingångsöverbelastning. I så fall måste du omedelbart avlägsna mätsladdarna från kretsen, eftersom ingångsvärdet överskrider mätarens angivna kapacitet.

Obs! Överbelastningsindikationen är i båda fallen normal i motstånd- och kontinuitet/diodområdena och indikerar då en öppen krets. *Funktionsfel* signaleras genom ett ihållande ljud när en mätsladd placeras i ett av 2 A-jacken och väljaren inte är inställd på rätt strömstyrkeområde. Detta kan leda till mycket hög strömstyrka om mätaren är inkopplad i en spänningskälla med mätsladdarna inställda för strömstyrka. Alla strömstyrkeområden skyddas med snabba säkringar.

Svagt batteri: När indikatorn för svagt batteri visas innebär det att det återstår mindre än 50 timmars drift i batteriet och att mätarens noggrannhet inte längre kan garanteras.

Mätprocedurer

Slå på mätaren genom att vrida funktions-/områdesväljaren till ett annat läge än OFF och välja den parameter du vill använda. Om den valda parametern har fler än ett områdesläge indikerar displayen området genom att ändra decimalpunktens position. Välj alltid det högsta området om det högsta potentiella mätvärdet är okänt. Vrid sedan väljaren nedåt i området för att uppnå avläsningar med bästa upplösning.

1. När mätsladdarna kopplas in i eller ut ur en krets är det viktigt att alltid stänga av enheten eller kretsen som testas och ladda ur alla kondensatorer.
2. Iakttag gränserna för maximala ingångsvärden.
3. Byt inte funktion medan mätsladdarna är inkopplade i kretsen.

Mäta lik- och växelspanning (se figur 1)

1. Koppla in mätsladdarna i mätaren enligt figur 1.
2. Vrid funktionsväljaren till V och det önskade området.
3. Tryck på menyknappen AC/DC för att visa indikatorn för växelström (AC) eller likström (DC).
4. Rör sondspetsarna tvärsöver spänningskällan (parallellt med kretsen).
5. Spänningsvärdet visas på den digitala displayen, tillsammans med spänningspolariteten (för likström).

Mäta lik- och växelström (se figur 2)

1. Koppla in den röda mätsladden i A-ingången för mätning av strömstyrka upp till 2 A. Koppla in den svarta mätsladden i COM-ingången.
2. Ställ om funktionsväljaren på önskat område för strömstyrka.
3. Tryck på menyknappen AC/DC för att visa indikatorn för växelström (AC) eller likström (DC).
4. Öppna den krets där strömstyrkan ska mätas (spänningen mellan denna punkt och jord får ej överstiga 1 000 V växelström/1 500 V likström). Koppla in mätsladdarna säkert i serie med belastningen.
5. Slå på strömmen till den krets som testas.
6. Läs av värdet för strömstyrkan på den digitala displayen.

Varning om felaktig inmatning: En ljudsignal avges när en mätsladd kopplas in i Ampère-jacket och väljaren inte är inställd på rätt strömstyrkeområde. Områdena från 200 μ A till 2 A kräver att mätsladden är inkopplad i A-jacket.

Mäta motstånd (se figur 3)

1. Stäng av strömmen i det motstånd som ska mätas och ladda ur alla kondensatorer. All förekomst av spänning under motståndsmätning kommer att orsaka felaktiga avläsningar.
2. Koppla in mätsladdarna i mätaren enligt figur 3.
3. Ställ in funktions-/områdesväljaren på önskat motståndsområde.
4. Koppla in mätsladdarna i den krets som ska mätas.
5. Läs av motståndsvärdet på den digitala displayen. Öppna kretsar visas som "1".

Testa diod och kontinuitet (se figur 4)

Diodtestet mäter spänningsfallet tvärsöver en diodövergång.

1. Koppla in mätsladdarna enligt figur 4.
2. Ställ in funktions-/områdesväljaren på $\rightarrow \text{|||}$.
3. Applicera den röda sladdens sondspets på diodens anod och den svarta sladden på diodens katod.
4. Mätarens display visar framförspänningsfallet (ca. 0,6 V för silikondioder eller 0,4 V för germaniumdioder). En öppen diod indikeras med "1".
5. Byt mätsladdarnas inkopplingar till dioden för att utföra ett test med backförspänning. "1" indikerar att dioden fungerar.

Obs! "1" för både back- och framförspänningstest indikerar att dioden är öppen. En lägre avläst spänning för båda förspänningstesterna indikerar kortslutning i dioden. Om dioden shuntas av en resistor på 1 000 Ω eller mindre måste den avlägsnas från kretsen innan mätningen utförs. Bipolära transistorövergångar kan testas på samma sätt som beskrivs ovan, eftersom emitterbas- och baskollektorövergångar är diodövergångar.

Vid kontinuitetsmätningar (också för kortslutna dioder) avger mätaren ett ihållande ljud när motståndsvärdet sjunker under 50 Ω .

Knapp för växelström/likström



Knappen AC/DC fungerar i samband med funktionsväljaren för att ändra önskad typ av inmatning för Volt- och Ampère-områden. Varje tryck på knappen växlar inmatningstypen och AC eller DC indikeras på displayen.

Pausknapp



Datapausfunktionen fryser det avlästa värde som visas på LCD-displayen när knappen trycks in. Använd denna menyfunktion genom att först ställa in mätaren för önskad typ av mätning och önskat område. Koppla in mätsladdarna i den krets/komponent som ska mätas och tryck sedan på Hold. Det avlästa värdet fryses och "HOLD" visas på displayen. Du kan ta bort mätsladdarna och det avlästa värdet ändras inte förrän du åter trycker på Hold.

Automatisk avstängning

Din multimeter stängs av automatiskt efter ca. 30 minuter utan aktivitet för att på så sätt minska strömförbrukningen. Du kan slå på den igen genom att vrida funktionsväljaren till OFF och sedan tillbaka till en mätfunktion.

Varning om felaktig inmatning

Mätaren avger en ihållande ljudsignal och visar symbolen ∞ när en mätsladd kopplas in i 2-A-ingångsjacket och väljaren inte är inställd i korrekt position för strömstyrka. Detta kan leda till mycket hög strömstyrka om mätaren är inkopplad i en spänningskälla med mätsladdarna inställda för strömstyrka. Alla strömstyrkeområden skyddas med snabba säkringar.

Säkerhetsmätsladdar

Mätsladdarna som ingår med din mätare har banankontakter med höljen som eliminerar risken för stötar om man råkar dra ut kontakterna ur mätaren av misstag under pågående mätning. Reservdelsnumret för säkerhetsmätsladdar är TL1500.

Valfria tillbehör

CT235A	1 000 A klämma, AC/DC	FP700	2 A/1 500 V säkring
CT237A	200 A strömklämma, AC/DC	HV231-10A	Högpänningssond
CT238A	20 A strömklämma, AC/DC	TC253B	Temperaturomvandlare (900 °C/1 652 °F)
DC205C	Hård Deluxe-väska	TL1500	Standardmätsladdar med gängade krokodilklämmor, CAT IV
DC207C	Stor hård Deluxe-väska med extra utrymme för tillbehör	VC221B	Vadderad vinylväska

Specifikationer

Allmänna specifikationer

Display: 3-1/2-siffrig LCD, 1 999 tal, med indikatorer och menyfunktioner

Polaritetsindikation: Automatisk

Indikation om överbelastning i ingång: 1

Indikation för svagt batteri: \hat{b} < 50 timmars batteriladdning återstår och noggrannhet garanteras inte längre

Uppdateringsfrekvens i display: 2,5/sek, nominellt

Driftstemp. (< 75 % rel. fukt.): 0 °C till +50 °C

Förvaringstemp.: -20 °C till 60 °C, 0 till 80 % rel. fukt., batteri utt.

Temperaturkoefficient: 0,1 x (spec. noggrannhet)/°C (0 °C till 18 °C och 28 °C till 50 °C) all funktionerna och områden utom för mVDC

Temperaturkoefficient: 0,3 x (spec. noggrannhet)/°C (0 °C till 18 °C och 28 °C till 50 °C) för mVDC

Miljö: Endast för användning inomhus

Höjd över havet: Upp till 2000 m

Ström: 9 volt standardbatteri, NEDA 1604, JIS 006P, IEC 6F22

Automatisk avstängning: Mätaren stängs av efter ca. 30 minuter utan aktivitet

Batteriets livslängd: 250 timmar typiskt med kol-zink, 500 timmar typiskt med alkaliskt

Dimensioner, med hölster (H x B x D): 200 x 102 x 59 mm (7,9 x 4 x 2,3 tum)

Vikt (inkl. batteri): 642 g (1,4 lb.)

Tillbehör: Mätsladdar, batteri (i instrumentet), insexnyckel i hölstret, flexibelt Magne-Grip-band och handbok

Höljets material: Flamsäker, slagtålig termoplast

Säkerhet: Uppfyller EN 61010-1 Cat IV – 1 500 V likström och 1 000 V växelströmseffektivvärde, klass II EN60529:IP67

EMC: Uppfyller EN 61326-1

CE Denna produkt uppfyller kraven i följande CE-direktiv: 89/336/EEC (elektromagnetisk kompatibilitet) och 73/23/EEC (lägspänning) med ändringar från 93/68/EEC (CE-märkning).

Elektriska störningar eller intensiva elektromagnetiska fält i närheten av utrustningen kan dock störa mätkretsen. Mätinstrument reagerar också på oönskade signaler som kan finnas i mätkretsen. Användaren bör vara försiktig och vidta lämpliga försiktighetsåtgärder för att undvika missvisande resultat vid mätningar i närvaro av elektroniska störningar.

Elektriska specifikationer

Noggrannhet vid 23 °C ± 5 °C, < 75 % icke-kondenserande relativ fuktighet, garanteras under ett år.

Likspänning

Områden: 200 mV, 2 V, 20 V, 200 V, 1 500 V

Upplösning: 0,1 mV

Noggrannhet: Alla områden \pm (0,1 % avl.+2 siff.)

Ingångsimpedans: 10 M Ω

Överbel.-skydd: 1 500 V dc/1 000 V ac-effektivvärde

Transientskydd: 12 kV impuls (1,2 μ S/50 μ S) baserat på EN 61010-1:2001 impulskrav för en CAT IV 1 000 V produkt. Denna produkt bör ej användas i installationer där transienter överskrider 12 kV.

Växelspänning (45 Hz till 2 kHz)

Områden: 200 mV, 2 V, 20 V, 200 V, 1 000 V

Upplösning: 0,1 mV

Noggrannhet: 200 mV till 200 V (45-500 Hz): \pm (0,8 % avl.+4 siff.) 1 000 V (50-60 Hz): \pm (0,8 % avl.+4 siff.); 200 mV till 200 V (500 Hz-2 kHz): \pm (1,5 % avl.+5 siff.) 1 000 V (60-500 Hz): \pm (1,5 % avl.+5 siff.)

Ingångsimpedans: 10 M Ω

Överbel.-skydd: 1 500 V dc/1 000 V ac-effektivvärde

Transientskydd: 12 kV impuls (1,2 μ S/50 μ S) baserat på EN 61010-1:2001 impulskrav för en CAT IV 1 000 V produkt. Denna produkt bör ej användas i installationer där transienter överskrider 12 kV.

Likström

Områden: 200 μ A, 2 mA, 20 mA, 200 mA, 2 A

Upplösning: 0,1 μ A

Noggrannhet: 200 μ A till 20 mA: \pm (0,5 % avl.+2 siff.),
200 mA to 2 A: \pm (1,0 % avl.+2 siff.)

Spänningsfall: max. 250 mV (1 mV/1 μ A i 200 μ A omr)
(100 mV/1 mA i 2 mA omr),
(10 mV/1 mA i 20 mA omr),
(1,5 mV/1 mA i 200 mA omr),
(500 mV/1 A i 2 A omr)

Överbel.-skydd: A-ingång (F 2 A/1 500 V, storlek 8 x 65 mm IR snabbtvl. keramik)

Växelström (45 Hz till 1 kHz)

Områden: 200 μ A, 2 mA, 20 mA, 200 mA, 2 A

Upplösning: 0,1 μ A

Noggrannhet: 200 μ A till 20 mA: \pm (0,8 % avl.+4 siff.), 200 mA to 2 A: \pm (1,2 % avl.+4 siff.)

Spänningsfall: Max. 250 mV (1 V i 2 A omr)

Överbel.-skydd: Samma som likström

Motstånd

Områden: 200 Ω , 2 k Ω , 20 k Ω , 200 k Ω , 2 M Ω , 20 M Ω

Upplösning: 0,1 Ω

Noggrannhet: 200 Ω \pm (0,5 % avl.+4 siff.),
2 k Ω till 200 k Ω \pm (0,3 % avl.+2 siff.),
2 M Ω \pm (1,0 % avl.+4 siff.),
20 M Ω \pm (2,0 % avl.+4 siff.)

Överbel.-skydd: 1 500 V dc/1 000 V ac-effektivvärde

Spänning, öppen krets: 200 Ω omr. 3,0 V dc typiskt, alla andra omr. 0,3 V dc typiskt

Diod/kontinuitetstest

Testström: 1 mA likström typiskt

Spänning i test-/öppen krets: 3,0 V dc typiskt

Diod noggrannhet: \pm (1,5 % avl.+2 siff.)

Överbel.-skydd: 1 500 V dc/1 000 V ac-effektivvärde

Kontinuitetstest hörbar tröskel: < 50 Ω \pm 25 Ω

Responstid: < 100 msek

Underhåll och reparation

Om det verkar som ett fel uppstår under användning av mätaren bör följande åtgärder vidtagas för att isolera orsaken till problemet:

1. Kontrollera batteriet.
2. Granska bruksanvisningarna för att identifiera eventuella misstag i handhavandet.
3. Kontrollera och prova testsonderna för att upptäcka eventuella brutna eller otillförlitliga anslutningar.
4. Kontrollera och testa säkringen. Se avsnittet Byta batteri/säkring.

Underhåll och reparation utöver batteri- eller säkringsbyte bör endast utföras av ett fabriksgodkänt servicecenter eller av annan kvalificerad instrumentservicepersonal. Den främre panelen och höljet kan rengöras med en mild lösning med rengöringsmedel och vatten. Applicera lösningen sparsamt med en mjuk handduk och låt mätaren torka ordentligt innan den används. Aromatiska kolväten eller klorerade lösningsmedel bör ej användas för rengöring.

Byta batteri/säkring (se figur 5)

Varning

Förebygg elektriska stötar eller skador på mätaren genom att koppla ur mätarens mätsladdar ur kretsen och mätaren och sedan stänga av mätaren innan locket på höljets baksida avlägsnas.

Försiktighetsåtgärder

- Var och en av lockets insexskruvar har en bricka och en packning som är viktiga för mätarens vatten-/dammtäta kapacitet. Se till att bevara dem vid öppnandet och sätta tillbaka dem vid stängning.
- Vi avråder från att bända bort locket med en kniv eller skruvmejsel, eftersom detta kan skada kantens fläns och/eller packning och ominstegöra mätarens vatten-/dammtäta kapacitet.
- Säkringslocket är väsentligt för EN61010-1 Cat IV-säkerhetsklassningen och måste sitta på plats för att undvika risken för stötar.
- Batteri- eller säkringsbyte bör utföras i en ren miljö och med vidtagande av lämpliga åtgärder för att undvika nedsmutsning av mätarens invändiga komponenter.
- Kretskorten innehåller inga delar eller komponenter som användaren kan utföra service på. Isärtagning utöver anvisningarna nedan vid batteri- och/eller säkringsbyte upphäver alla garantier.

ÖPPNA: Koppla ur mätsladdarna, stäng av mätaren och avlägsna hölstret. Skruva ut de sex insexskruvarna ur locket med den 2 mm insexnyckel som sitter i hölstret. Avlägsna locket försiktigt och lägg mätaren med framsidan nedåt på en ren vadderad yta.

BYTA BATTERI: Koppla ur mätsladdarna, stäng av mätaren och avlägsna hölstret. Skruva ut de fyra insexskruvarna ur batterilocket på höljets baksida med insexnyckeln (se figur 5). Byt ut batteriet mot ett NEDA typ 1604 eller likvärdigt 9-volts alkaline-batteri. Se till att batterifackets packning är i gott skick och inpassad korrekt innan du sätter på locket och skruvar in skruvarna.

BYTA SÄKRING: Förbered öppnandet genom att koppla ur mätsladdarna, stänga av mätaren och avlägsna hölstret. Skruva ut de sex insexskruvarna ur locket med den 2 mm insexnyckel som sitter i hölstret. Avlägsna locket försiktigt och lägg mätaren med framsidan nedåt på en ren vadderad yta. Säkringen sitter under ett skyddshölje. Lyft höljet och avlägsna säkringen genom att bända försiktigt under den. Bänd ut säkringen genom att placera en liten platt skruvmejsel under säkringens ändhattar. Använd ALDRIG packningen som stödjepunkt, eftersom detta kan missforma packningen permanent.

Varning

Använd endast säkringar med specificerad storlek och typ. Användning av säkringar med högre strömstyrkevärde eller lägre spänningsvärde eller säkringar med olika typ kan leda till stötar, personskador och/eller skador på mätaren. Reservdelssäkring:

2 A/1 500 V snabbutlösande keramisk säkring, med storleken 8 x 65 mm (liten). Amprobe®-artikelnr. FP700.

STÅNGA: Sätt tillbaka säkringshöljet och sedan locket på baksidan av mätaren. Var försiktig så att locket packning inte bockas eller kläms fast. Skruva i de sex insexskruvarna med deras motsvarande packningar och brickor och dra fast dem med lika mycket moment på var och en av dem. Dra INTE åt dem för hårt, eftersom gängorna i kåpan kan skadas. Slå på mätaren och kontrollera att den fungerar. Sätt tillbaka mätaren i hölstret om allt är normalt.

Reparation

Till alla apparater, som sänds in för reparation eller kalibrering inom ramen för garantin eller utanför garantin måste följande bifogas: Kundens namn, firmanamn, adress, telefonnummer och köpbelägg. Därutöver ombeds Ni att medsända en kort beskrivning av problemet eller det önskade underhållet samt att bifoga mätledningarna till mätinstrumentet. Avgifterna för reparationer utanför garantin eller för ersättning av instrument måste betalas med check, penninganvisning, kreditkort (kreditkortnummer med datum för sista giltighetsdag) eller annars måste en order till Amprobe Test Tools formuleras.

Garantireparationer eller -utbyte – alla länder.

V.g. läs igenom efterföljande garantiförklaring och kontrollera batteriet innan reparation begärs. Under garantiperioden kan alla defekta apparater sändas till Amprobe Test Tool-distributören för utbyte mot samma produkt eller liknande produkt. En förteckning av behöriga distributörer finns i avsnittet "Where to Buy" (försäljningsställen) på websten www.amprobe.com. Därutöver kan i USA och i Kanada apparater skickas till ett Amprobe Test Tools Service-Center för reparation och för utbyte.

Reparationer och utbyte utanför garantin – USA och Kanada.

För reparationer utanför garantin i Förenta staterna och i Kanada skickas apparaterna till ett Amprobe Test Tools Service-Center. Uppllysning över de aktuellt gällande avgifterna för reparation och utbyte erhåller Ni från Amprobe Test Tools eller från försäljningsstället.

I USA:

Amprobe Test Tools
Everett, WA 98203
Tél. : 877-AMPROBE (267-7623)

I Kanada:

Amprobe Test Tools
Mississauga, ON L4Z 1X9
Tél. : 905-890-7600

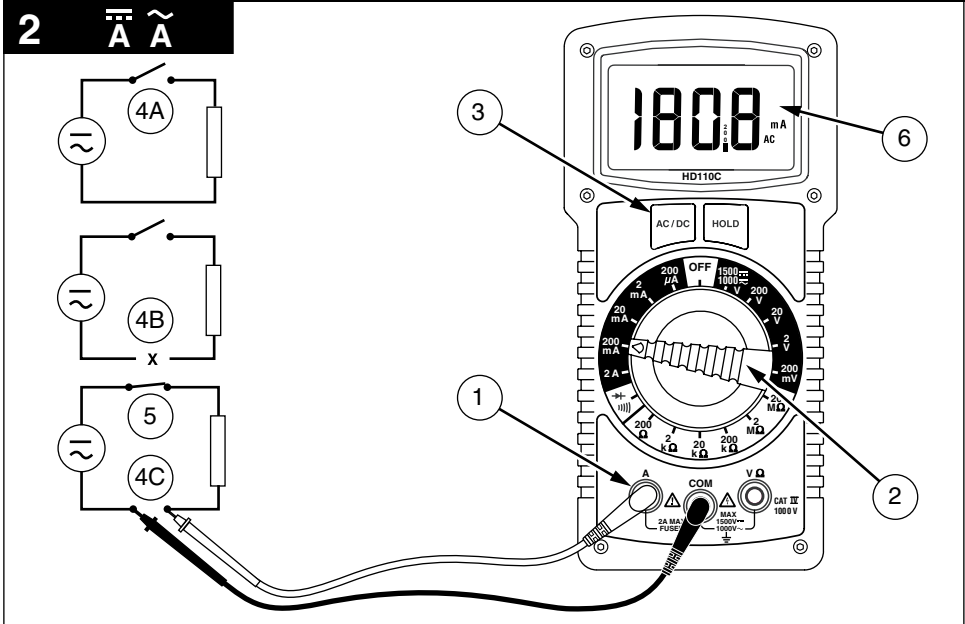
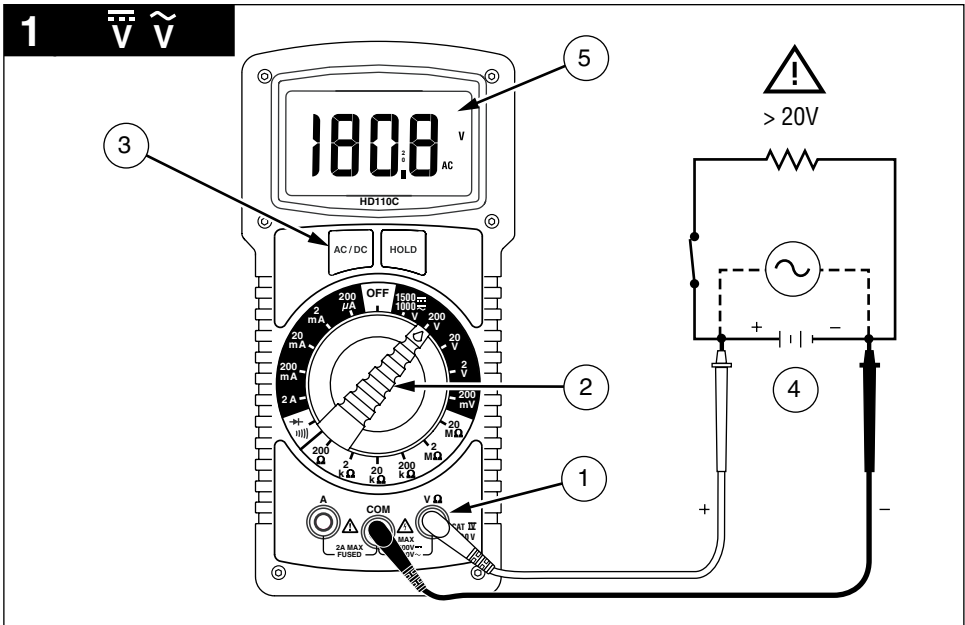
Reparationer och utbyte utanför garantin – Europa

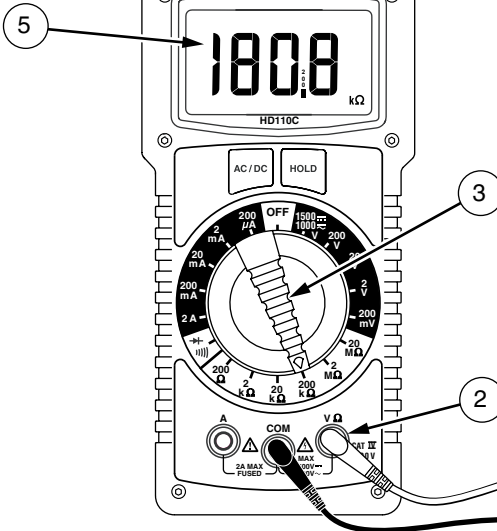
Apparater utanför garantin kan ersättas av en behörig Amprobe Test Tools-distributör mot avgift. En förteckning över behöriga distributörer finns i avsnittet "Where to Buy" (försäljningsställen) på websten www.amprobe.com.

Korrespondensadress för Europa*

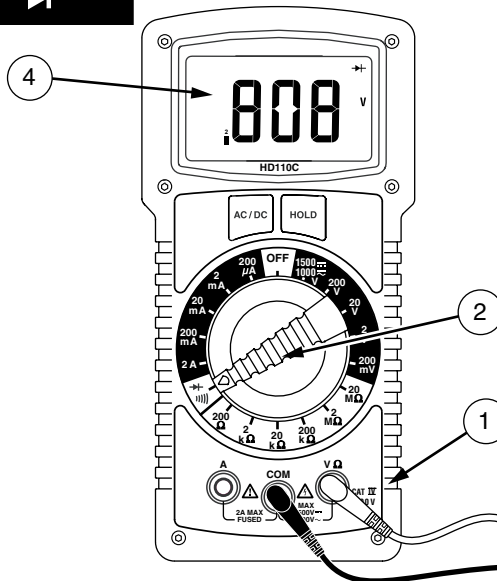
Amprobe Test Tools Europe
P. O. Box 1186
5602 BD Eindhoven
Nederländerna

*(Endast korrespondens – inga reparationer, inget utbyte under denna adress. Kunder i Europa vänder sig till behörig distributör).

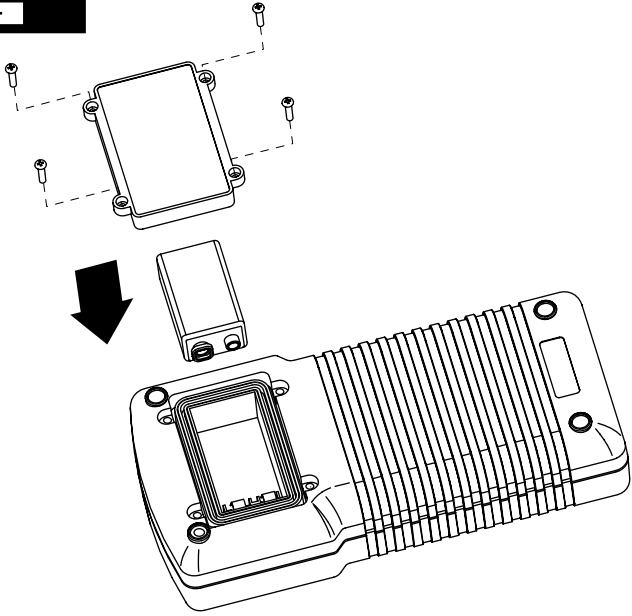


3 **Ω** **1**

- Discharge capacitors
- Décharger les condensateurs
- Scaricare i condensatori
- Kondensatorer entladen
- Descargue los condensadores
- Ladda ur kondensatorer

4 **\rightarrow** **1****3**

5



Visit www.Amprobe.com for

- Catalog
- Application notes
- Product specifications
- User manuals



Please Recycle